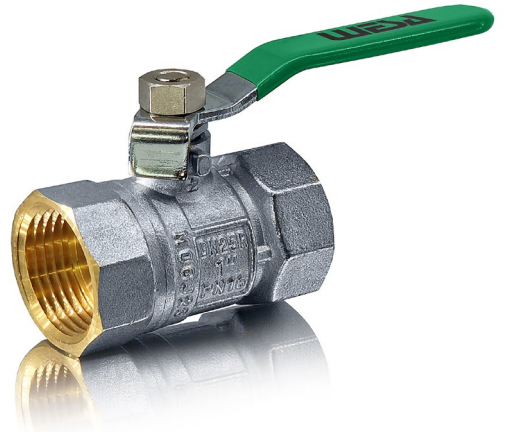


Brass

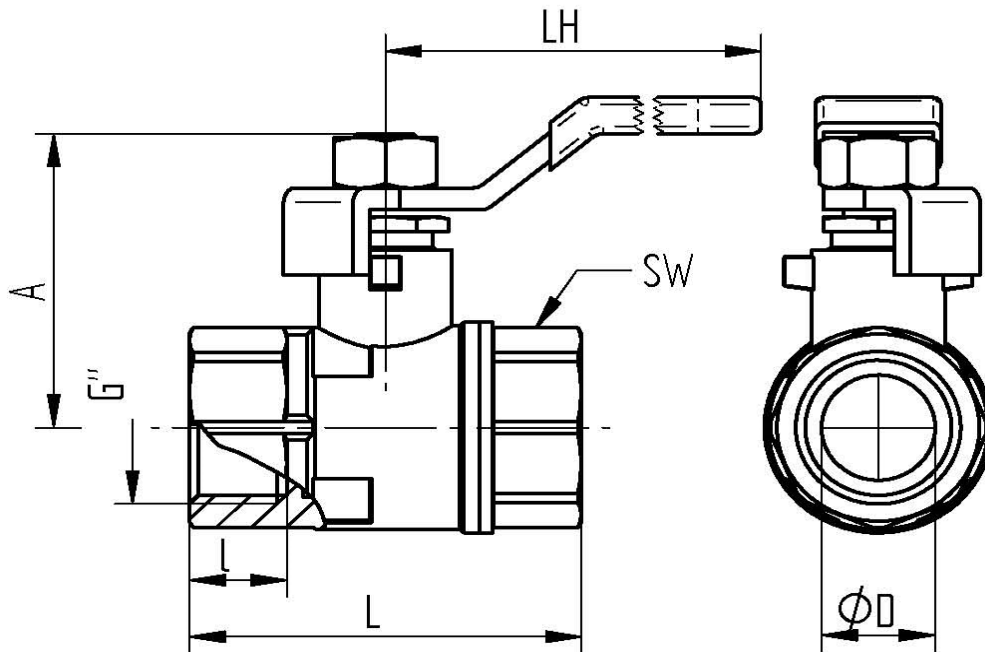
TECHNICAL DATA

temperature range :	-20°C up to +120°C, drinking water 0°C bis 65°C, pressure-dependent
pressure range :	max. PN 16 bar, drinking water PN10
connecting thread :	according to DIN ISO 228/1
body material :	CW617N, Pb2, chrome plated
ball :	CW617N, Pb2, chromed plated, with bore for wash-up
ball seals :	TFM 1600
stem :	CW617N, Pb2, chrome plated
stem seals :	TFM 1600/ O-Ring EPDM 7008
hand lever:	steel, green plastic coated
Licensing:	according to DIN-DVGW W570 for drinking water EN 13828



On request: 7750-07; 7750-08; 7750-09

Connecting thread female/female



Item No.	G"	DN	øD	L mm	l mm	A mm	LH mm	SW mm	PN bar	wight (g)
7750-04	1/2"	15R	10	50	12,5	39	73	25	16	144
7750-05	3/4"	20R	15	54	12,5	42	87	31	16	225
7750-06	1"	25R	20	62,5	14,5	45	87	38	16	332
7750-07	1 1/4"	32R	25	70	15	57	100	48	16	491
7750-08	1 1/2"	40R	32	84	17,5	68	130	54	16	781
7750-09	2"	50R	40	100	19,5	73	130	66	16	1233