

Brass

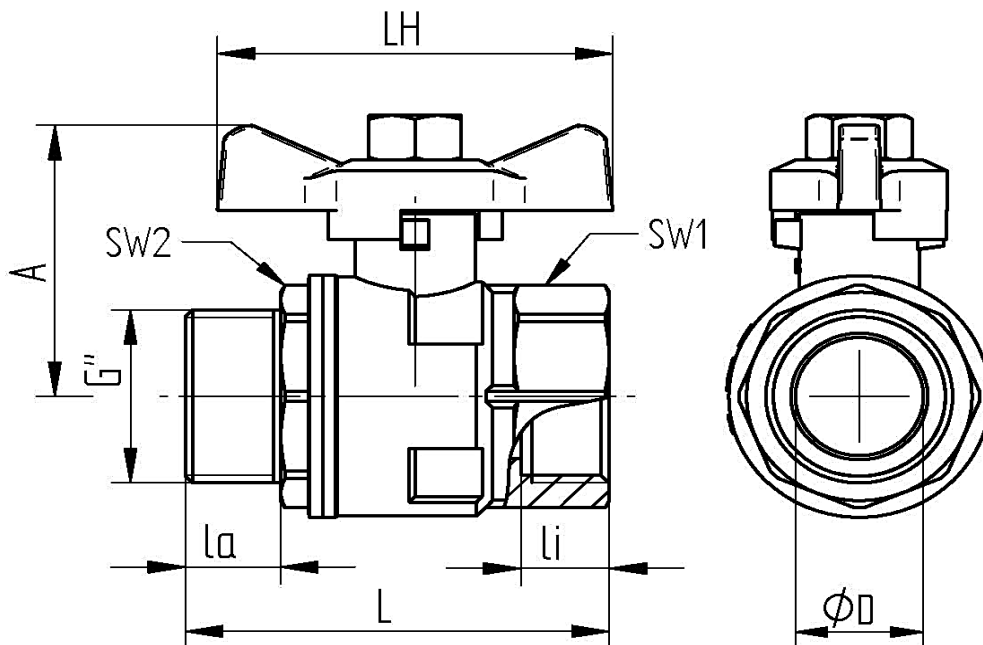
TECHNICAL DATA

temperature range:	- 20°C up to max. + 120°C, pressure-dependent
pressure range :	max. PN 16 bar, depending on nominal size and temperature
compressed air:	max. 10 bar
connecting thread:	according to DIN EN ISO 228-1
body material:	Brass CW617N nickel plated
threaded ends:	Brass CW617N nickel plated
ball:	Brass CW614N hard chromed
ball seals:	PTFE
stem:	Brass CW614N nickel plated
stem seals:	PTFE , O-Ring FKM with packing gland
butterfly handle:	aluminium, red painted

On request: 6616-07



Connecting thread female / male



Art.Nr.	G"	DN	øD	L mm	li mm	la mm	A mm	LH mm	SW1	SW2	PN bar	Gewicht (g)
6616-04	1/2"	15R	10	54	12,5	11,5	33	56	25	22	16	135
6616-05	3/4"	20R	15	60	12,5	12	40	56	31	28	16	208
6616-06	1"	25R	20	69	14,5	14	44	56	38	35	16	213
6616-07	1 1/4"	32R	25	80	15	16,5	53	72	48	47	16	511