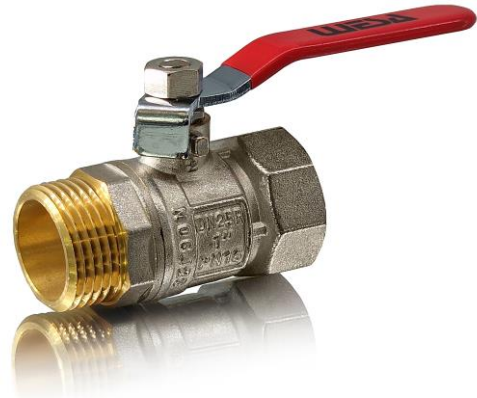


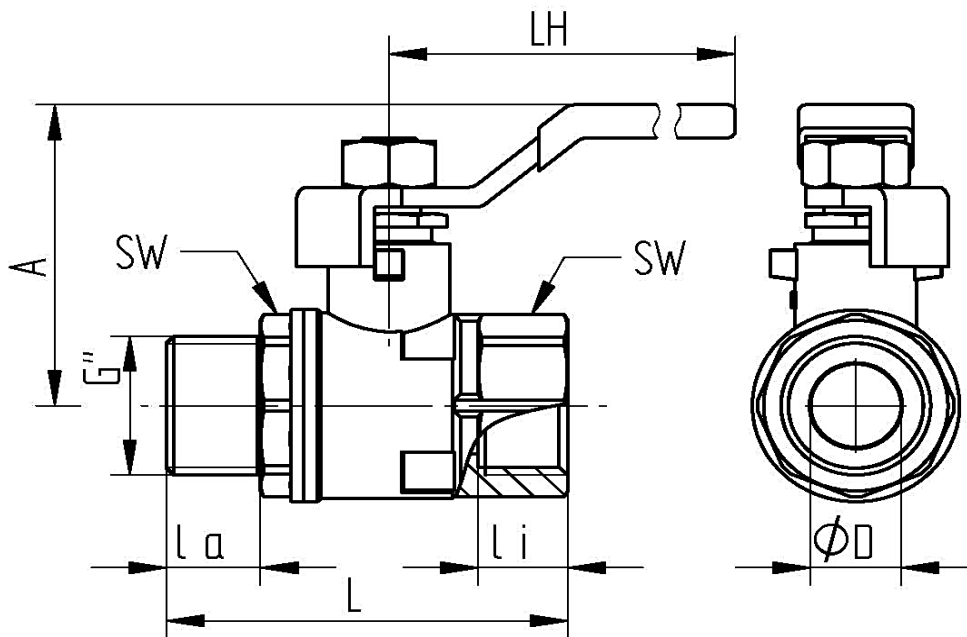
Brass

TECHNICAL DATA

temperature range:	- 20°C up to max. + 120°C, pressure-dependent
pressure range :	max. PN 16 bar, depending on nominal size and temperature
compressed air:	max. 10 bar
connecting thread:	according to DIN EN ISO 228-1
body material:	Brass CW617N nickel plated
threaded ends:	Brass CW617N nickel plated
ball:	Brass CW614N hard chromed
ball seals:	PTFE
stem:	Brass CW614n nickel plated
stem seals:	PTFE , O-Ring FKM with packing gland
handle:	steel, red plastic coated



Connecting thread female / male



Art.Nr.	G"	DN	ϕD	L mm	li mm	la mm	A mm	LH mm	SW mm	PN bar	weight (g)
6610-04	1/2"	15R	10	54	12,5	11,5	39	73	25	16	148
6610-05	3/4"	20R	15	60	12,5	12	42	87	31	16	234
6610-06	1"	25R	20	69	14,5	14	45	87	38	16	332
6610-07	1 1/4"	32R	25	80	15	16,5	57	100	48	16	538