

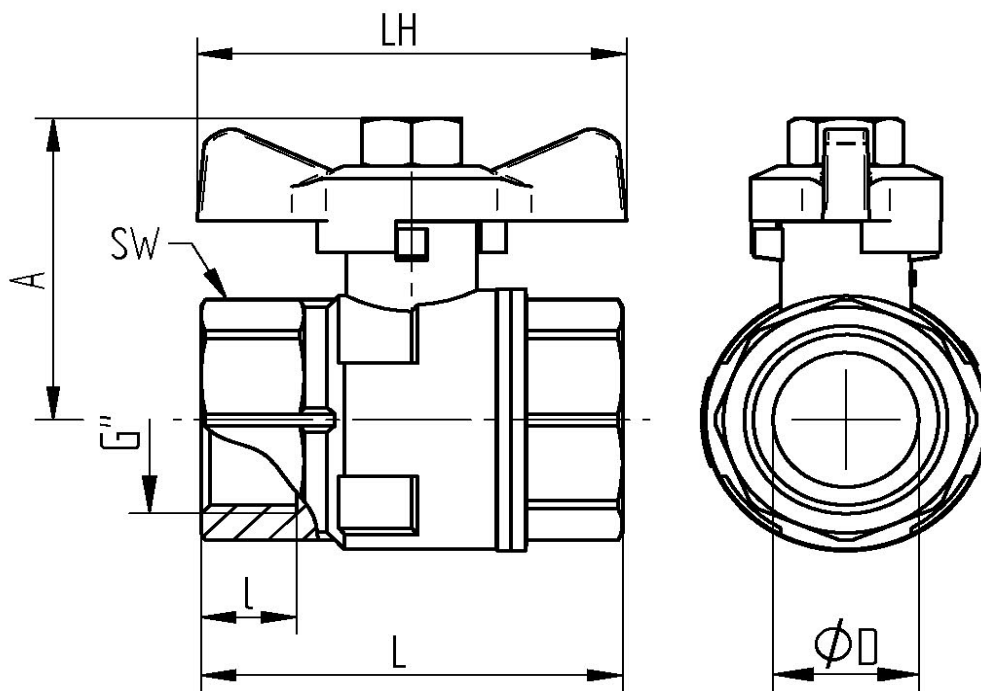
Brass

TECHNICAL DATA

temperature range:	- 20°C up to max. + 120°C, pressure-dependent
pressure range :	max. PN 16 bar, depending on nominal size and temperature
compressed air:	max. 10 bar
connecting thread:	according to DIN EN ISO 228-1
body material:	Brass CW617N nickel plated
threaded ends:	Brass CW617N nickel plated
ball:	Brass CW614N hard chromed
ball seals:	PTFE
stem:	Brass CW614N nickel plated
stem seals:	PTFE , O-Ring FKM with packing gland
butterfly handle:	Alu red painted



Connecting thread female/female



Art.Nr.	G"	DN	øD	L mm	l mm	A mm	LH mm	SW mm	PN bar	Gewicht (g)
6606-04	1/2"	15R	10	50	12,5	33	56	25	16	130
6606-05	3/4"	20R	15	54	12,5	40	56	31	16	199
6606-06	1"	25R	20	62,5	14,5	44	56	38	16	306
6606-07	1 1/4"	32R	25	70	15	53	72	48	16	466