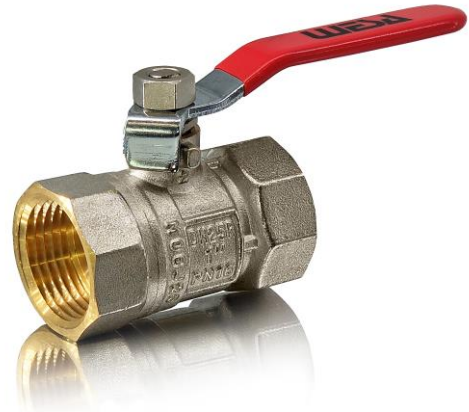


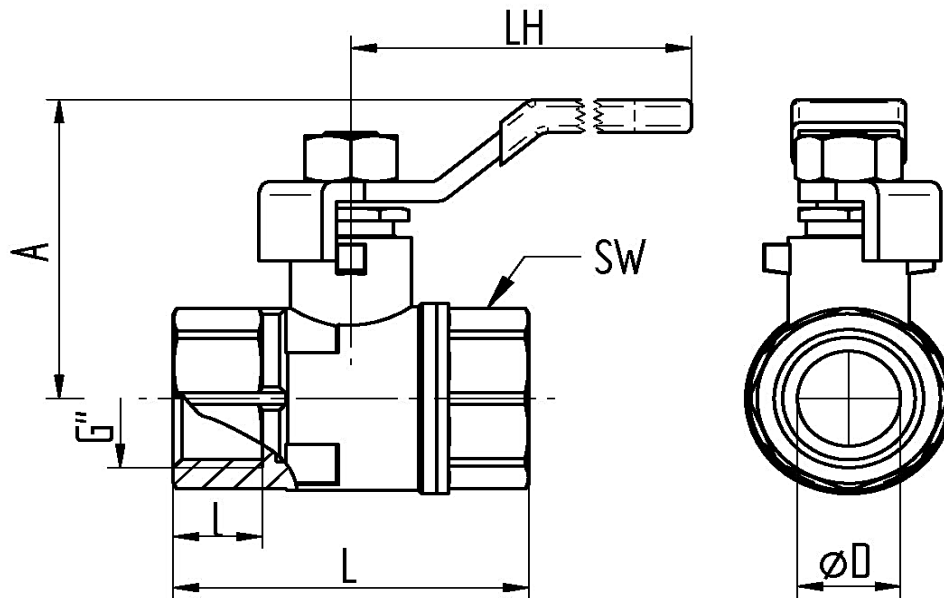
## Brass

### TECHNICAL DATA

temperature range:	- 20°C up to max. + 120°C, pressure-dependent
pressure range :	max. PN 16 bar, depending on nominal size and temperature
compressed air:	max. 10 bar
connecting thread:	according to DIN EN ISO 228-1
body material:	Brass CW617N nickel plated
threaded ends:	Brass CW617N nickel plated
ball:	Brass CW614N chromium plated
ball seals:	PTFE
stem:	Brass CW614N nickel plated
stem seals:	PTFE , O-Ring FKM with packing gland
handle:	steel, red plastic coated



### Connecting thread female/female



Art.Nr.	G"	DN	øD	L mm	l mm	A mm	LH mm	SW mm	PN bar	weight (g)
6600-04	1/2"	15R	10	50	12,5	39	73	25	16	144
6600-05	3/4"	20R	15	54	12,5	42	87	31	16	225
6600-06	1"	25R	20	62,5	14,5	45	87	38	16	332
6600-07	1 1/4"	32R	25	70	15	57	100	48	16	493
6600-08	1 1/2"	40R	32	84	17,5	68	130	54	16	812
6600-09	2"	50R	40	100	19,5	73	130	66	16	1232