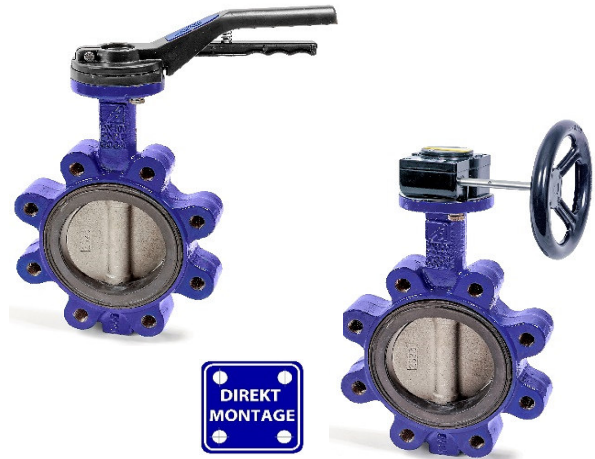


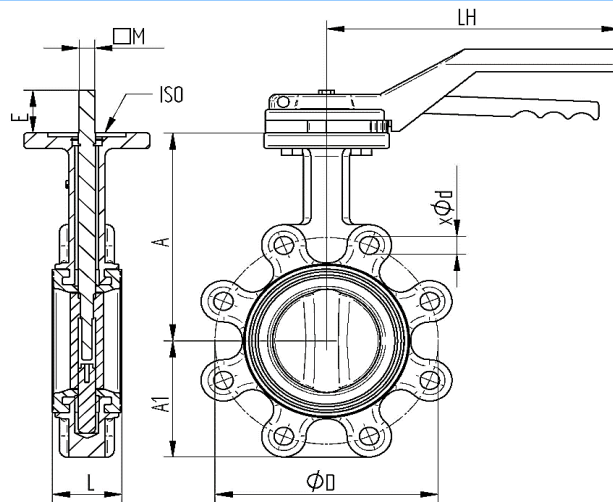
Manually operated

Technical data

Body:	Spheroid ductile iron GGG40 blue RAL5002 coated
Disc:	Stainless steel 1.4408
Seat:	Resilient seated [see the table]
Shaft:	Stainless steel 1.4021
Shaft sealing:	PTFE+NBR O-Ring
Notchplate:	Nylon 66 [dew point barrier] 5202
Notchplate:	Aluminum black coated 5200_5210_5220
Overall length:	Acc.to DIN EN 558-1
Actuator connection:	Acc.to DIN ISO 5211
Flange connection:	Acc.to UNI EN 1092-1
Medium temperature:	Seat dependent [see the table]
Pressure rating:	Max. 16 bar temperature dependent
Ratchet handle lever:	≤DN200 Aluminum black coated
Worm gear box:	≤DN200 On request ≥DN250 Aluminum black coated



<u>Item No.</u>	<u>Seat</u>	<u>Temperature</u>	<u>Pressure Rating</u>	<u>Item No.</u>	<u>Seat</u>	<u>Temperatur</u>	<u>Pressure Rating</u>
5200 5202	EPDM-H	-10°C up to +110°C	PN 16	5201	EPDM-H	-10°C bis +110°C	PN 10
5210	NBR	-10°C up to +90°C	PN 16	5211	NBR	-10°C bis +90°C	PN 10
5220	FKM	-10°C up to +150°C	PN 16	5221	FKM	-10°C bis +150°C	PN 10



Item No. Size	DN	L mm	A mm	A1 mm	LH mm	øD mm	xød	M mm	E mm	øISO	PN bar	Torque [Nm]	Kg
5200 5210 5220-05	20	33	110	58	210	50	4x M12	11	25	F05	16		
5200 5210 5220-06	25	33	110	58	210	50	4x M12	11	25	F05	16		
5200 5210 5220-07	32	33	133	70	210	70	4x M16	11	25	F05 F07	16		
5202 5210 5220-08	40	33	133	70	210	110	4x M16	11	25	F05 F07	16	15 19 19	3,20
5202 5210 5220-09	50	43	141	61	210	125	4x M16	11	25	F05 F07	16	15 19 19	3,50
5202 5210 5220-10	65	46	153	72	210	145	4x M16	11	25	F07	16	18 23 23	3,75
5202 5210 5220-11	80	46	161	87	210	160	8x M16	11	25	F07	16	33 41 41	4,60
5202 5210 5220-12	100	52	176	106	210	180	8x M16	11	25	F07	16	45 56 56	5,30
5202 5210 5220-13	125	56	193	123	210	210	8x M16	14	25	F07	16	70 88 88	9,60
5202 5210 5220-14	150	56	204	137	210	240	8x M20	14	25	F07	16	90 113 113	11,20
5202 5210 5220-15	200	60	247	174	340	295	12x M20	17	35	F10	16	160 200 200	16,90
5201 5211 5221-15	200	60	247	174	340	295	8x M20	17	25	F10	10	160 200 200	16,90
Worm gear box with handwheel													
5202 5210 5220-16	250	68	280	209	-	355	12x M24	17	25	F10	16	240 300 300	41,40
5202 5210 5220-17	300	78	324	253	-	410	12x M24	22	30	F10	16	370 460 460	52,40
5201 5211 5221-16	250	68	280	209	-	350	12x M20	17	30	F10	10	240 300 300	41,40
5201 5211 5221-17	300	78	324	253	-	400	12x M20	22	30	F10	10	370 460 460	52,40