

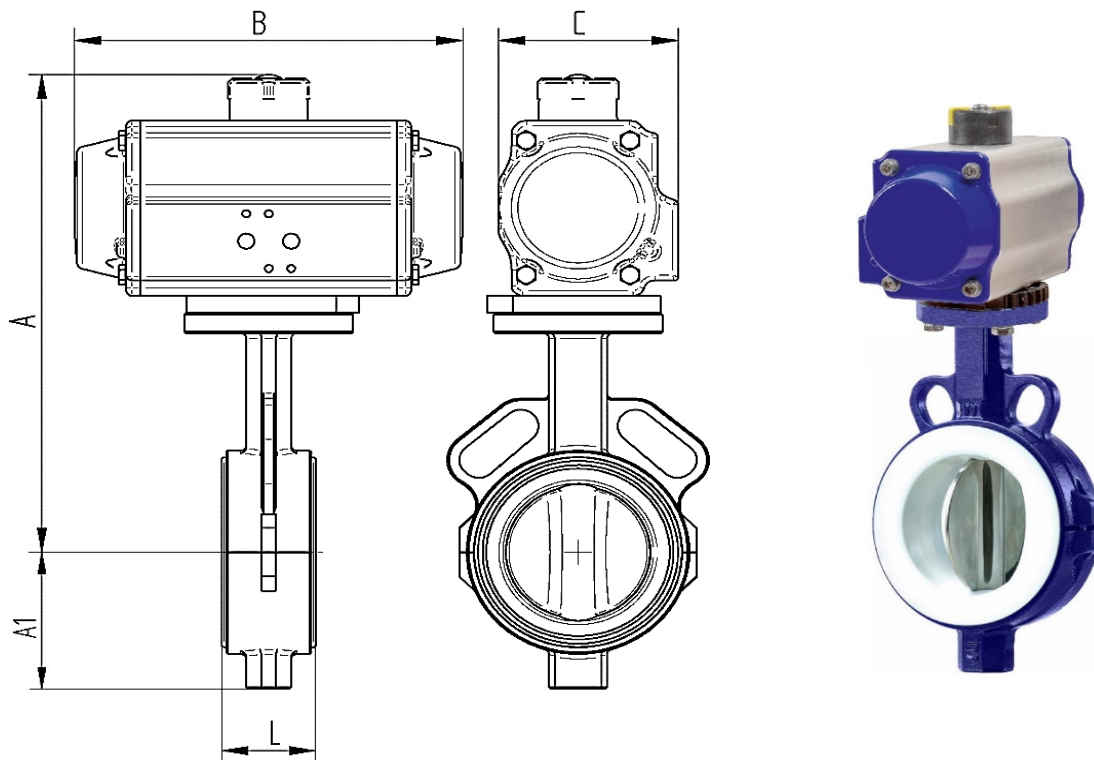
Automation with pneumatic single acting actuator

Technical data butterfly valve

Body:	Spheroid ductile iron GGG40 blue RAL5002 coated
Design:	Split body
Disc:	Stainless steel 1.4408
Seat:	PTFE+FKM
Shaft:	Stainless steel 1.4034
Shaft sealing:	PTFE+FKM O-Ring
Overall length:	Acc.to DIN EN 558-1
Actuator connection:	Acc.to DIN ISO 5211
Flange connection:	Acc.to UNI EN 1092, PN06 - PN10 - PN16
Medium temperature:	-10°C bis +150°C pressure dependent
Pressure rating:	Max. 16 bar temperature dependent

Technical data pneumatic actuator

Design Feature:	Rack and pinion principle
Piston guide:	Self centering in housing
Housing:	Aluminum alloy anodized
Cover end caps:	Aluminum alloy, RAL 5002 blue painted
Seals:	NBR
Pinion:	Steel chemically hard nickel plated
Piston Rack:	Aluminum alloy
Pivot angle:	90° adjustable from +5° to -5
Operating temperature:	-15°C to +80°C
Torque max:	Torque table Pilot pressure table
Control medium:	Filtered & lubricated air according to Pneurop/ISO Kl. 5
Control pressure:	Rated to 6 bar
Actuator Valve:	according to DIN ISO 5211
Actuator Control valve:	according to Namur resp. VDI/VDE 3845
Actuator Signal devices:	according to Namur resp. VDI/VDE 3845
Position indicator :	optical, mounted in scope of delivery
Approval:	ATEX 2014/34/EU



Article No. Size	øDN mm	L mm	A mm	B mm	C mm	A1 mm
PE06 5400-08	40	43	292	266	139	65
PE06 5400-09	50	43	292	266	139	65
PE06 5400-10	65	46	296	266	139	72
PE07 5400-11	80	46	331	337	157	80
PE07 5400-12	100	52	349	337	157	114