

Stainless steel

TECHNICAL DATA BALL VALVE

Body material :	stainless steel 1.4401
Screw-in-sleeve:	stainless steel 1.4401
Connection thread :	according to DIN EN 10226-1
Ball :	Stainless steel 1.4401
Ball seals :	RPTFE
Spindle :	stainless steel 1.4401, Blow-out proof
Spindle seals :	PTFE / FKM
Actuator connection :	according to DIN EN ISO 5211
Operating temperature :	- 20°C to max. + 150°C, pressure dependent
Working pressure :	max. PN 140 bar temperature dependent Compressed air max. 20 bar

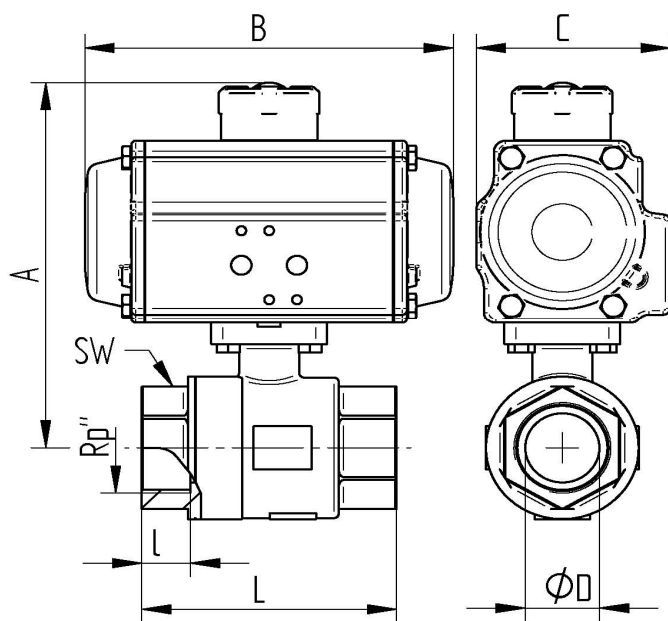
Approval : EAC nach TR CU 010/2011

Optional: ATEX nach 2014/34/EU

TECHNICAL DATA ACTUATOR

Design Feature:	Rack and pinion principle
Piston guide:	Self centering in housing
Housing:	Aluminum alloy anodized
Cover end caps:	Aluminum alloy, RAL 5002 blue painted
Seals:	NBR
Pinion:	Steel chemically hard nickel plated
Piston Rack:	Aluminum alloy
Pivot angle:	90° adjustable from +5° to -5
Operating temperature:	-15°C up to +80°C
Torque max:	Torque table Pilot pressure table
Control medium:	Filtered & lubricated air according to Pneurop/ISO Kl. 5
Control pressure:	Rated to 6 bar
Actuator Valve:	according to DIN ISO 5211
Actuator Control valve:	according to Namur resp. VDI/VDE 3845
Actuator Signal devices:	according to Namur resp. VDI/VDE 3845
Position indicator :	optical, mounted in scope of delivery

Connecting thread female/female



Art. Nr.	Rp"	DN	øD mm	L mm	l mm	SW mm	A mm	B mm	C mm	Nm
PE 02 9768 -02	1/4"	10	11	65	13	27	201	189	71	17 18
PE 02 9768 -03	3/8"	12	13	65	11	27	201	189	71	17 18
PE 02 9768 -04	1/2"	15	16	75	16	27	201	189	71	17 18
PE 02 9768 -05	3/4"	20	20	80	18	33	204	189	71	17 18
PE 03 9768 -06	1"	25	25	90	18	41	172	210	103	21 35
PE 04 9768 -07	1 1/4"	32	32	110	21	50	191	229	114	33 48
PE 05 9768 -08	1 1/2"	40	40	120	22	58	211	264	126	44 71
PE 07 9768 -09	2"	50	50	140	25	70	268	337	157	102 166
PE 08 9768 -10	2 1/2"	65	65	185	38	87	307	377	178	165 238
PE 08 9768 -11	3"	80	80	205	38	104	319	377	178	165 238