

Stainless steel

TECHNICAL DATA BALL VALVE

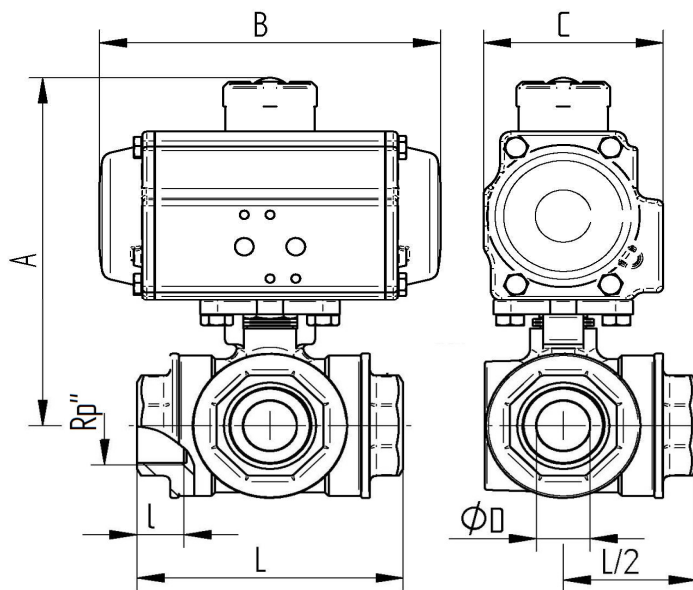
Design:	3-way ball valve with reduced port
Connection:	Threaded in acc.to DIN EN 10226-1
Body material:	Stainless steel 1.4408
Body cap material:	Stainless steel 1.4408
Ball material:	Stainless steel 1.4401
Ball seat:	R-PTFE (15%)
Stem material:	Stainless steel 1.4401
Stem packing:	PTFE FKM O-Ring
ISO Flange:	Acc.to DIN EN ISO 5211
Safety:	Blow-out proof design, antistatic
Medium temperature:	-25°C up to max. +180°C, pressure dependent
Pressure rating:	Max. PN 63bar, temperature dependent
Approval:	ATEX II 2G Ex h IIB T2 Gb ATEX II 2D Ex h IIIB T280° Db

9338-L-PORT
9339-T-PORT

TECHNICAL DATA ACTUATOR

Design Feature:	Rack and pinion principle
Piston guide:	Self centering in housing
Housing:	Aluminum alloy anodized
Cover end caps:	Aluminum alloy, RAL 5002 blue painted
Seals:	NBR
Pinion:	Steel chemically hard nickel plated
Piston Rack:	Aluminum alloy
Pivot angle:	90° adjustable from +5° to -5
Operating temperature:	-15°C to +80°C
Torque max:	Torque table Pilot pressure table
Control medium:	Filtered & lubricated air according to Pneurop/ISO KI. 5
Control pressure:	Rated to 6 bar
Actuator Valve:	according to DIN ISO 5211
Actuator Control valve:	according to Namur resp. VDI/VDE 3845
Actuator Signal devices:	according to Namur resp. VDI/VDE 3845
Position indicator :	optical, mounted in scope of delivery
Approval :	ATEX 2014/34/EU

Connecting thread female/female



Art. Nr.	Rp"	DN	ø D mm	L mm	l mm	A mm	B mm	C mm
PE01 9338_9339-02	1/4"	10	9,5	75	17	127	154	71
PE01 9338_9339-03	3/8"	12	11	75	17	127	154	71
PE01 9338_9339-04	1/2"	15	12	75	17	127	154	71
PE02 9338_9339-05	3/4"	20	15	85	20	150	189	90
PE03 9338_9339-06	1"	25	20	100	22	167	210	103
PE04 9338_9339-07	1 1/4"	32	25	122	24	189	229	103
PE05 9338_9339-08	1 1/2"	40	32	131	25	203	264	126
PE06 9338_9339-09	2"	50	40	158	28	227	266	139
PE07 9338_9339-10	2 1/2"	65	49	178	30	287	337	157
PE07 9338_9339-11	3"	80	60	202	33	297	337	157
PE08 9338_9339-12	4"	100	75	246	39	327	377	178