

Stainless steel

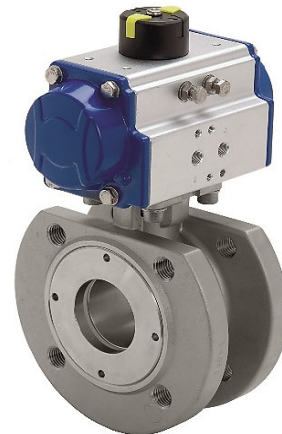
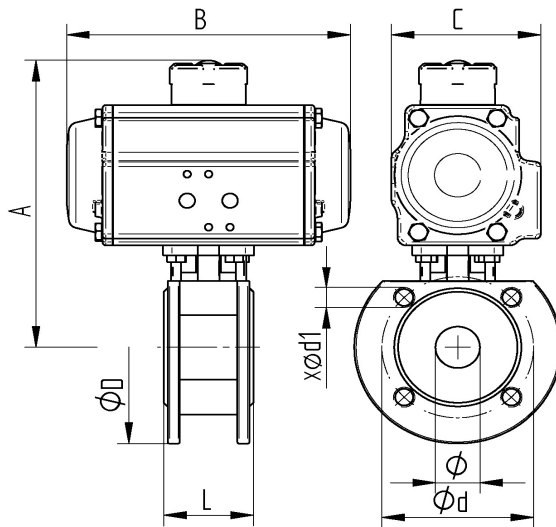
TECHNICAL DATA BALL VALVE

Body material:	Stainless steel 1.4408
Flange material:	Stainless steel 1.4408
Screw ring	Stainless steel 1.4408
Ball material:	Stainless steel 1.4401
Ball seat:	R-PTFE (15%)
Stem material:	Stainless steel 1.4401
Stem packing:	PTFE FKM O-Ring
Body wall thickness:	Acc.to EN 12516-1
Flange connection:	Acc.to DIN 2501/1 - EN 1092-1
Face to face dimension:	Acc.to EN558-1 Row 27
ISO Flange:	Acc.to DIN EN ISO 5211
Safety:	Blow-out proofed, antistatic
Medium temperature:	-25°C up to max. +180°C, pressure dependent
Pressure rating:	Max. PN 40 bar, temperature dependent
Approval:	ATEX II 2G Ex h IIB T2 Gb ATEX II 2D Ex h IIIB T280° Db

TECHNICAL DATA ACTUATOR

Design Feature:	Rack and pinion principle
Piston guide:	Self centering in housing
Housing:	Aluminum alloy anodized
Cover end caps:	Aluminum alloy, RAL 5002 blue painted
Seals:	NBR
Pinion:	Steel chemically hard nickel plated
Piston Rack:	Aluminum alloy
Pivot angle:	90° adjustable from +5° to -5
Operating temperature:	-15°C to +80°C
Torque max:	Torque table Pilot pressure table
Control medium:	Filtered & lubricated air according to Pneurop/ISO KI. 5
Control pressure:	Rated to 6 bar
Actuator Valve:	according to DIN ISO 5211
Actuator Control valve:	according to Namur resp. VDI/VDE 3845
Actuator Signal devices:	according to Namur resp. VDI/VDE 3845
Position indicator :	optical, mounted in scope of delivery
Position indicator :	optical, mounted in scope of delivery
Approval:	ATEX 2014/34/EU

Flange connections



Art. No.	DN	ø mm	A mm	B mm	C mm	L mm	øD mm	ød	x ø d1
PE01 0939-04	15	15	145	154	71	36	95	65	4xM12
PE01 0939-05	20	20	150	154	71	38	105	75	4xM12
PE02 0939-06	25	25	168	189	90	50	115	85	4xM12
PE03 0939-07	32	32	191	210	103	53	140	100	4xM16
PE03 0939-08	40	40	197	210	103	65	150	110	4xM16
PE04 0939-09	50	50	218	229	113	78	165	125	4xM16
PE06 0939-10	65	65	251	266	139	98	185	145	4xM16
PE07 0939-11	80	76	302	337	157	118	200	160	8xM16
PE08 0939-12	100	94	331	377	178	140	220	180	8xM16
PE10 0939-13	125	125	417	488	217	195	250	210	8xM16
PE11 0939-14	150	150	458	550	236	225	285	240	8xM20
PE12 0939-15	200	200	539	602	262	275	340	295	12xM20

10/2024