

Stainless steel

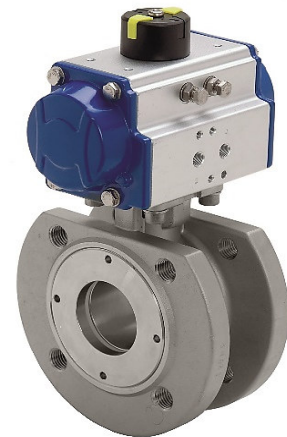
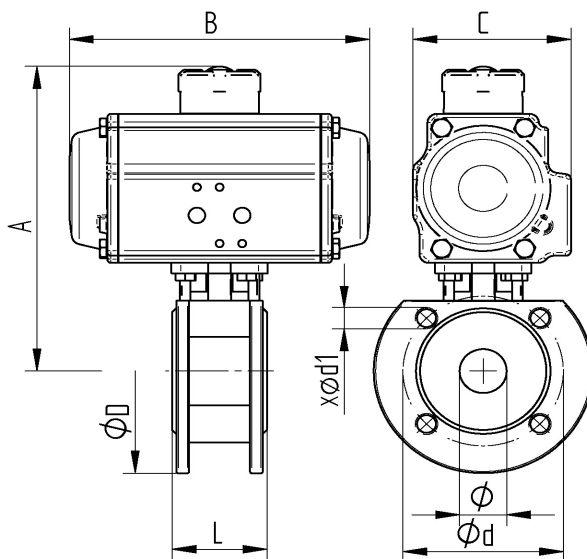
TECHNICAL DATA BALL VALVE

Body material:	Stainless steel 1.4408
Flange material:	Stainless steel 1.4408
Screw ring	Stainless steel 1.4408
Ball material:	Stainless steel 1.4401
Ball seat:	R-PTFE (15%)
Stem material:	Stainless steel 1.4401
Stem packing:	PTFE FKM O-Ring
Body wall thickness:	Acc.to EN 12516-1
Flange connection:	Acc.to DIN 2501/1 - EN 1092-1
Face to face dimension:	Acc.to EN558-1 Row 27
ISO Flange:	Acc.to DIN EN ISO 5211
Safety:	Blow-out proofed, antistatic
Medium temperature:	-25°C up to max. +180°C, pressure dependent
Pressure rating:	Max. PN 40 bar, temperature dependent
Approval:	ATEX II 2G Ex h IIB T2 Gb ATEX II 2D Ex h IIIB T280° Db

TECHNICAL DATA ACTUATOR

Design Feature:	Rack and pinion principle
Piston guide:	Self centering in housing
Housing:	Aluminum alloy anodized
Cover end caps:	Aluminum alloy, RAL 5002 blue painted
Seals:	NBR
Pinion:	Steel chemically hard nickel plated
Piston Rack:	Aluminum alloy
Pivot angle:	90° adjustable from +5° to -5
Operating temperature:	-15°C to +80°C
Torque max:	Torque table Pilot pressure table
Control medium:	Filtered & lubricated air according to Pneurop/ISO KI. 5
Control pressure:	Rated to 6 bar
Actuator Valve:	according to DIN ISO 5211
Actuator Control valve:	according to Namur resp. VDI/VDE 3845
Actuator Signal devices:	according to Namur resp. VDI/VDE 3845
Position indicator :	optical, mounted in scope of delivery
Position indicator :	optical, mounted in scope of delivery
Approval:	ATEX 2014/34/EU

Flange connections



Art. No.	DN	ø mm	A mm	B mm	C mm	L mm	øD mm	ød	x ø d1	Nm
PD01 0939-04	15	15	125	110	47	36	95	65	4xM12	7
PD02 0939-05	20	20	150	154	71	38	105	75	4xM12	22
PD02 0939-06	25	25	149	154	71	50	115	85	4xM12	22
PD02 0939-07	32	32	161	154	71	53	140	100	4xM16	22
PD03 0939-08	40	40	186	189	90	65	150	110	4xM16	44
PD03 0939-09	50	50	194	189	90	78	165	125	4xM16	44
PD05 0939-10	65	65	243	229	113	98	185	145	4xM16	100
PD05 0939-11	80	76	244	229	113	118	200	160	8xM16	100
PD06 0939-12	100	94	266	264	126	140	220	180	8xM16	141
PD08 0939-13	125	125	346	337	157	195	250	210	8xM16	327
PD09 0939-14	150	150	381	377	178	225	285	240	8xM20	483
PD10 0939-15	200	200	447	412	196	275	340	295	12xM20	670