

Stainless steel

TECHNICAL DATA BALL VALVE

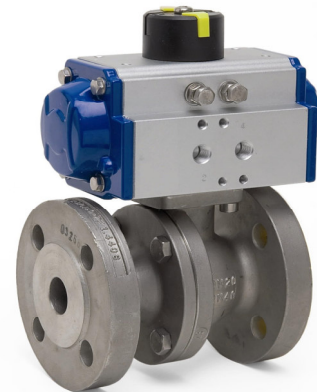
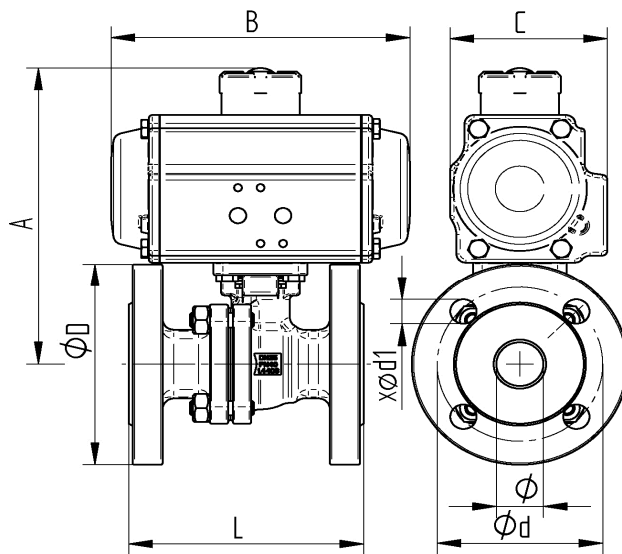
Body material:	Stainless steel 1.4408
Flange material:	Stainless steel 1.4408
Ball material:	Stainless steel 1.4401
Ball seat:	R-PTFE (15%)
Stem material:	Stainless steel 1.4401
Stem packing:	PTFE FKM O-Ring
Body wall thickness:	Acc.to EN 12516-1
Flange connection:	Acc.to DIN 2501/1 - EN 1092-1
Face to face dimension:	Acc.to EN558-1 Row 27
ISO Flange:	Acc.to DIN EN ISO 5211
Safety:	Blow-out proofed, antistatic
Medium temperature:	-25°C up to max. +180°C, pressure dependent
Pressure rating:	Max. PN 40 bar, temperature dependent

Approval:	ATEX II 2G Ex h IIB T2 Gb
	ATEX II 2D Ex h IIIB T280° Db
	Firesafe acc.to DIN EN ISO 10497

TECHNICAL DATA ACTUATOR

Design Feature:	Rack and pinion principle
Piston guide:	Self centering in housing
Housing:	Aluminum alloy anodized
Cover end caps:	Aluminum alloy, RAL 5002 blue painted
Seals:	NBR
Pinion:	Steel chemically hard nickel plated
Piston Rack:	Aluminum alloy
Pivot angle:	90° adjustable from +5° to -5
Operating temperature:	-15°C to +80°C
Torque max:	Torque table Pilot pressure table
Control medium:	Filtered & lubricated air according to Pneurop/ISO KI. 5
Control pressure:	Rated to 6 bar
Actuator Valve:	according to DIN ISO 5211
Actuator Control valve:	according to Namur resp. VDI/VDE 3845
Actuator Signal devices:	according to Namur resp. VDI/VDE 3845
Position indicator :	optical, mounted in scope of delivery
Approval:	ATEX

Flange connections



Art. Nr.	DN	ø mm	A mm	B mm	C mm	L mm	øD mm	ød mm	ød1 mm	Nm
PD01 0920-04	15	15	118	110	47	115	95	65	4xø14	7
PD02 0920-05	20	20	143	154	71	120	105	75	4xø14	22
PD02 0920-06	25	25	149	154	71	125	115	85	4xø14	22
PD02 0920-07	32	32	161	154	71	130	140	100	4xø18	22
PD03 0920-08	40	38	186	189	90	140	150	110	4xø18	44
PD03 0920-09	50	50	194	189	90	150	165	125	4xø18	44
PD05 0920-10	65	63,5	243	229	113	170	185	145	4xø18	100
PD05 0920-11	80	76	256	229	113	180	200	160	8xø18	100
PD06 0920-12	100	100	289	264	126	190	220	180	8xø18	141
PD08 0920-13	125	125	376	337	157	325	250	240	8xø18	327
PD09 0920-14	150	150	411	377	178	350	285	240	8xø22	483
PD10 0920-15	200	200	487	412	196	400	340	295	12xø22	670