

Grey cast iron GG25

TECHNICAL DATA BALL VALVE

Working temperature : -10°C up to max. +150°C, pressure dependent
 Working pressure: max. PN 16 bar
 Flange connection: according to DIN 2501/1-EN 1092-1
 with trough hole, except DN125-DN150
 Actuator connection: according to DIN EN ISO 5211
 Body material : gray cast iron GG25, coated
 Case material: gray cast iron GG25, coated
 Ball: stainless steel, AISI 304
 Ball seals: PTFE
 Stem : steel-9 SMnPb 36
 Stem seals : PTFE|HNBR O-Ring
 Overall length : according to EN 558-1 F4

TECHNICAL DATA ACTUATOR

Funktionalität : PD double acting
 Design feature : control shaft-bevel principle
 Piston channel : self centering in body
 Operating temperature : - 15° C up to + 80 ° C
 Angle of rotation : 90 ° from + 5° up to - 5° adjustable
 Torque max. : see chart (Nm) at 6 bars compressed air
 Control medium : filtered and oiled blast according Pneurol/ISO categorie 4

Mounting path :

Actuator/Armatur : 4 or 8 female thread in the body according to DIN ISO 5211

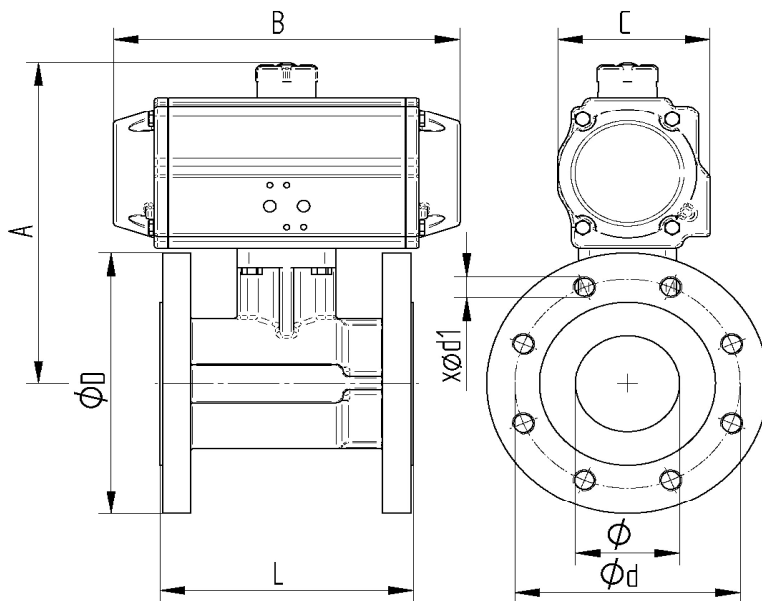
Actuator/Control valve : according to Namur respectively VDI/VDE 3845

Actuator/Signaling device : according to VDI/VDE 3845 (Namur)

Accessories actuator

Position announcement : optically, in the scope of supply mounts

Flangeconnection



Art. Nr.	DN	Nm	ø	A mm	B mm	C mm	L mm	øD mm	ød mm	x ød1
PD02 0910-06	25	22	25	191	154	71	125	115	85	4xø14
PD03 0910-07	32	44	32	214	189	90	130	140	100	4xø18
PD03 0910-08	40	44	40	224	189	90	140	150	110	4xø18
PD04 0910-09	50	68	50	242	210	103	150	165	125	4xø18
PD05 0910-10	65	100	61	226	229	113	170	185	145	4xø18
PD06 0910-11	80	141	74	246	264	126	180	200	160	8xø18
PD06 0910-12	100	141	95	259	264	126	190	220	180	8xø18
PD08 0910-13GW	125	327	120	342	337	157	200	250	210	8xM16
PD08 0910-14GW	150	327	145	363	337	157	210	285	240	8xM20