

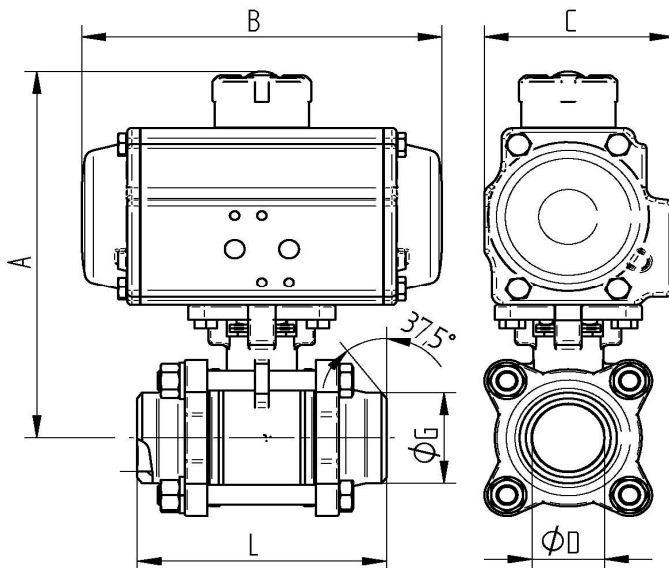
### Stainless steel

#### TECHNICAL DATA BALL VALVE

Design:	3-piece model with full port
Connection:	Butt welded
Body material:	Stainless steel 1.4408
Body cap material:	Stainless steel 1.4408
Ball material:	Stainless steel 1.4401
Ball seat:	R-PTFE (15%)
Stem material:	Stainless steel 1.4401
Stem packing:	PTFE   FKM O-Ring
ISO Flange:	Acc.to DIN EN ISO 5211
Safety:	Blow-out proof design, antistatic
Medium temperature:	-25°C up to max. +180°C, pressure dependent
Pressure rating:	Max. PN 63bar, temperature dependent
<b>Approval:</b>	ATEX II 2G Ex h IIB T2 Gb ATEX II 2D Ex h IIIB T280° Db

#### TECHNICAL DATA ACTUATOR

Design Feature:	Rack and pinion principle
Piston guide:	Self centering in housing
Housing:	Aluminum alloy anodized
Cover end caps:	Aluminum alloy, RAL 5002 blue painted
Seals:	NBR
Pinion:	Steel chemically hard nickel plated
Piston   Rack:	Aluminum alloy
Pivot angle:	90° adjustable from +5° to -5
Operating temperature:	-15°C to +80°C
Torque max:	Torque table   Pilot pressure table
Control medium:	Filtered & lubricated air according to Pneurop/ISO KI. 5
Control pressure:	Rated to 6 bar
Actuator   Valve:	according to DIN ISO 5211
Actuator   Control valve:	according to Namur resp. VDI/VDE 3845
Actuator   Signal devices:	according to Namur resp. VDI/VDE 3845
Position indicator :	optical, mounted in scope of delivery
<b>Approval :</b>	ATEX 2014/34/EU



Art. Nr.	DN	ø D mm	øG mm	L mm	A mm	B mm	C mm
PE01 9337-02	10	11	18,1	70	121	154	71
PE01 9337-03	12	12,5	18,1	70	121	154	71
PE01 9337-04	15	15	21,7	75	132	154	71
PE02 9337-05	20	20	27,2	90	159	189	90
PE02 9337-06	25	25	34	100	167	189	90
PE03 9337-07	32	32	42,7	110	184	210	103
PE04 9337-08	40	40	57,6	125	203	229	113
PE04 9337-09	50	50	60,5	150	211	229	113
PE07 9337-10	65	65	76	190	291	337	157
PE07 9337-11	80	80	93	220	304	337	157
PE08 9337-12	100	100	116	270	334	337	178