

Stainless steel

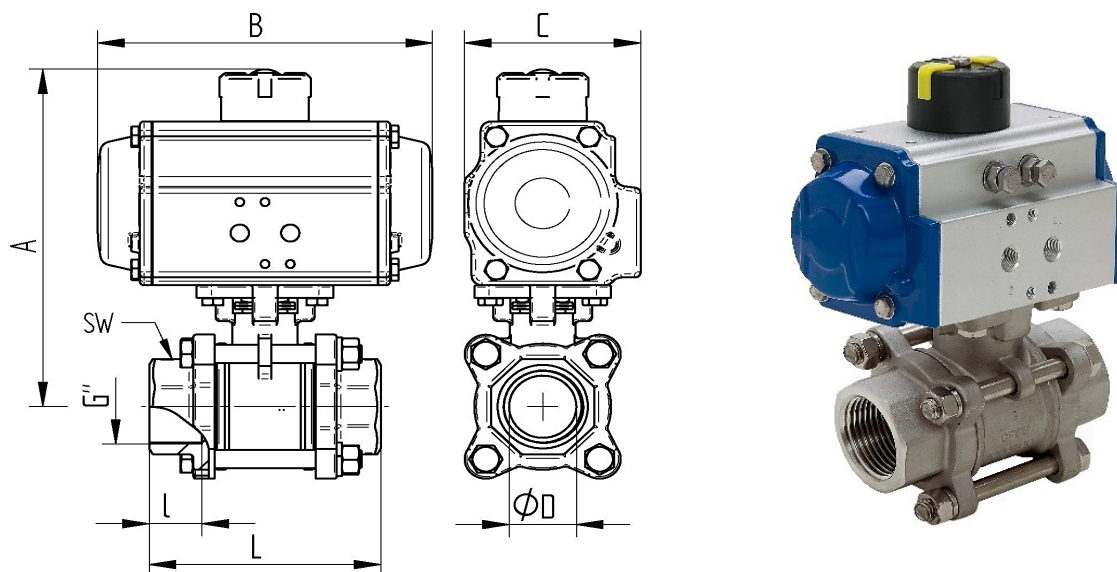
TECHNICAL DATA BALL VALVE

Design:	3-piece model with full port
Connection:	Threaded ends acc.to DIN EN 10226-1
Body material:	Stainless steel 1.4408
Body cap material:	Stainless steel 1.4408
Ball material:	Stainless steel 1.4401
Ball seat:	R-PTFE (15%)
Stem material:	Stainless steel 1.4401
Stem packing:	PTFE FKM O-Ring
ISO Flange:	Acc.to DIN EN ISO 5211
Safety:	Blow-out proofed, antistatic
Medium temperature:	-25°C up to max. +180°C, pressure dependent
Pressure rating:	Max. PN 63bar, temperature dependent
Approval:	ATEX II 2G Ex h IIB T2 Gb ATEX II 2D Ex h IIIB T280° Db ATEX II 2D Ex h IIIB T280° Db

TECHNICAL DATA ACTUATOR

Design Feature:	Rack and pinion principle
Piston guide:	Self centering in housing
Housing:	Aluminum alloy anodized
Cover end caps:	Aluminum alloy, RAL 5002 blue painted
Seals:	NBR
Pinion:	Steel chemically hard nickel plated
Piston Rack:	Aluminum alloy
Pivot angle:	90° adjustable from +5° to -5
Operating temperature:	-15°C to +80°C
Torque max:	Torque table Pilot pressure table
Control medium:	Filtered & lubricated air according to Pneurop/ISO KI. 5
Control pressure:	Rated to 6 bar
Actuator Valve:	according to DIN ISO 5211
Actuator Control valve:	according to Namur resp. VDI/VDE 3845
Actuator Signal devices:	according to Namur resp. VDI/VDE 3845
Position indicator :	optical, mounted in scope of delivery
Approval :	ATEX 2014/34/EU

Connecting thread female/female



Art. Nr.	Rp"	DN	ø D mm	L mm	l mm	A mm	B mm	C mm	PD Nm
PD01 9336-02	1/4"	10	11	50	10	101	110	47	7
PD01 9336-03	3/8"	12	12,5	60	11	101	110	47	7
PD01 9336-04	1/2"	15	15	75	15,5	112	110	47	7
PD02 9336-05	3/4"	20	20	80	16	140	154	71	22
PD02 9336-06	1"	25	25	90	19	148	154	71	22
PD02 9336-07	1 1/4"	32	32	110	21	154	154	71	22
PD03 9336-08	1 1/2"	40	40	120	21	179	189	90	44
PD03 9336-09	2"	50	50	140	25	187	189	90	44
PD05 9336-10	2 1/2"	65	65	185	30	233	229	113	100
PD05 9336-11	3"	80	80	205	33	246	229	113	100
PD06 9336-12	4"	100	100	240	39	269	246	126	141