

Stainless steel

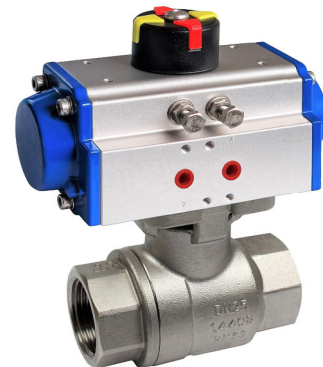
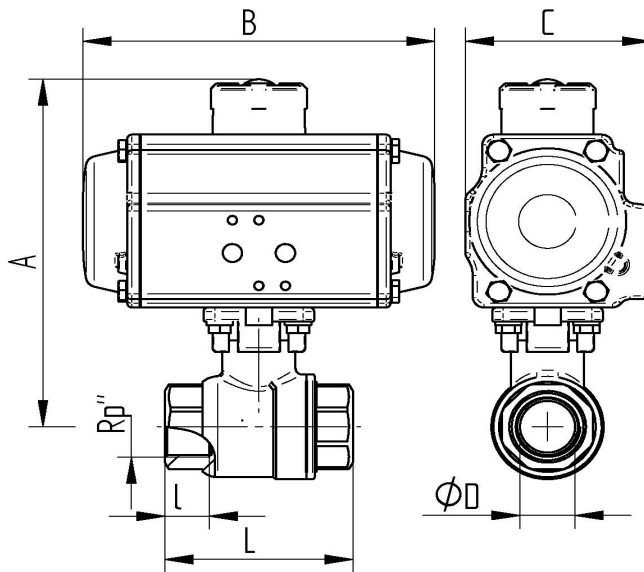
TECHNICAL DATA BALL VALVE

Construction:	2-way full bore ball valve
Design:	2-piece design
Connection end:	Internal thread according to DIN EN ISO 10226-1
Actuator connection:	According to DIN EN ISO 5211
Medium temperature:	-25°C to +180°C pressure dependent
Medium nominal pressure:	Max. 63 bar temperature-dependent
Body:	Stainless steel 1.4408
Screw-in ring:	Stainless steel 1.4408
Ball:	Stainless steel 1.4401
Stem:	Stainless steel 1.4401 Blow-out proof
Ball seal:	R-PTFE (15%)
Stem seal:	PTFE FKM O-ring
Approval :	ATEX II 2G Ex h IIB T2 Gb ATEX II 2D Ex h IIIB T280° Db

TECHNICAL DATA ACTUATOR

Design Feature:	Rack and pinion principle
Piston guide:	Self centering in housing
Housing:	Aluminum alloy anodized
Cover end caps:	Aluminum alloy, RAL 5002 blue painted
Seals:	NBR
Pinion:	Steel chemically hard nickel plated
Piston Rack:	Aluminum alloy
Pivot angle:	90° adjustable from +5° to -5
Operating temperature:	-15°C to +80°C
Torque max:	Torque table Pilot pressure table
Control medium:	Filtered & lubricated air according to Pneurop/ISO KI. 5
Control pressure:	Rated to 6 bar
Actuator Valve:	according to DIN ISO 5211
Actuator Control valve:	according to Namur resp. VDI/VDE 3845
Actuator Signal devices:	according to Namur resp. VDI/VDE 3845
Position indicator :	optical, mounted in scope of delivery
Approval :	ATEX 2014/34/EU

Connecting thread female/female



Item No.	Rp"	DN	øD mm	L mm	l mm	A mm	B mm	C mm	PD Nm
PD01 9652-02	1/4"	08	11,5	56	11	107	110	47	7
PD01 9652-03	3/8"	10	12,5	56	12	107	110	47	7
PD01 9652-04	1/2"	15	15	57	14	107	110	47	7
PD02 9652-05	3/4"	20	20	64	14	132	154	71	22
PD02 9652-06	1"	25	25	77	17	136	154	71	22
PD02 9652-07	1 1/4"	32	32	90	18	144	154	71	22
PD03 9652-08	1 1/2"	40	40	105	20	169	189	90	44
PD03 9652-09	2"	50	50	125	24	177	189	90	44
PD05 9652-10	2 1/2"	65	65	153	27	226	229	113	100
PD06 9652-11	3"	80	76	172	31	252	264	126	141
PD06 9652-12	4"	100	94	221	38	264	264	126	141