

### Brass

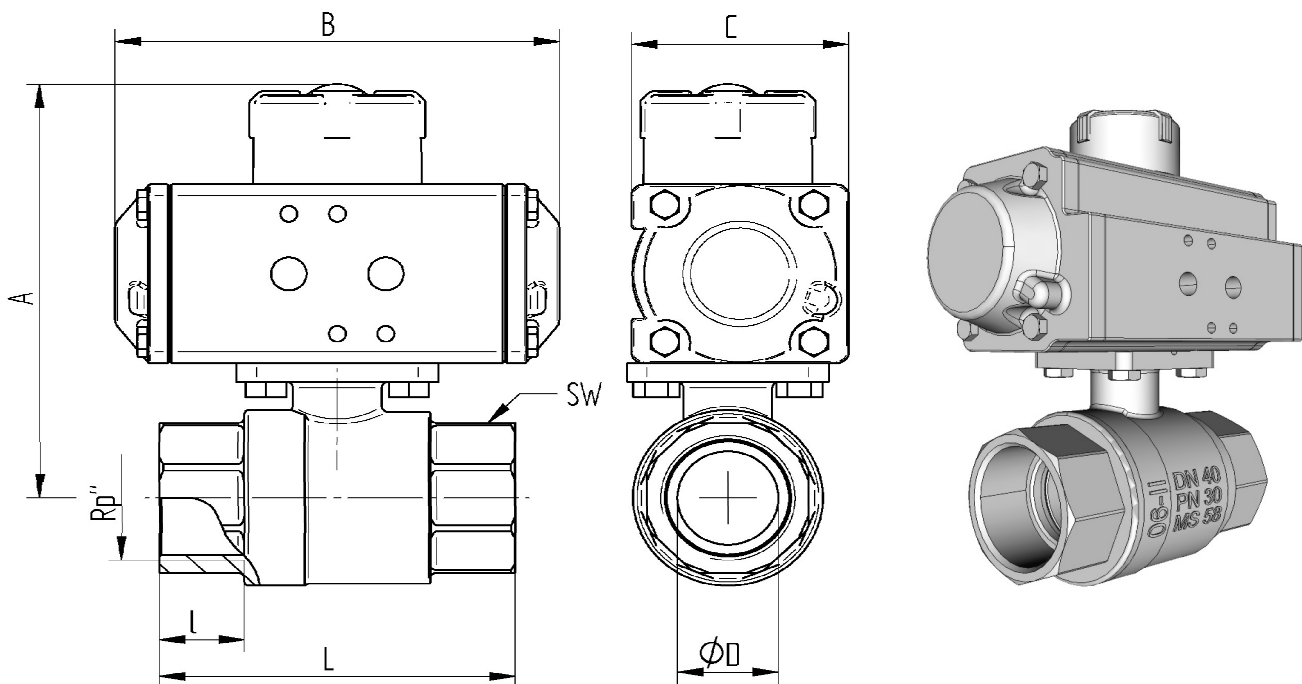
#### TECHNICAL DATA BALL VALVE

Construction:	2-way ball valve
Design:	2-part design full bore
Connection end:	Long thread acc. to DIN EN 10226-1
Actuator connection:	DIN EN ISO 5211 [direct installation]
Medium temperature:	-20°C up to +120°C pressure-dependent
Nominal pressure:	Max. 40 bar temperature-dependent
Body:	Brass CW617N nickel-plated
Screw-in socket:	Brass CW617N nickel-plated
Ball:	Brass CW617N hard chrome plated
Ball seal:	PTFE   FKM
Stem:	Brass CW614N nickel-plated
Stem seal:	PTFE   FKM

#### TECHNICAL DATA ACTUATOR

Design Feature:	Rack and pinion principle
Piston guide:	Self centering in housing
Housing:	Aluminum alloy anodized
Cover end caps:	Aluminum alloy, RAL 5002 blue painted
Seals:	NBR
Pinion:	Steel chemically hard nickel plated
Piston   Rack:	Aluminum alloy
Pivot angle:	90° adjustable from +5° to -5°
Operating temperature:	-15°C to +80°C
Torque max:	Torque table   Pilot pressure table
Control medium:	Filtered & lubricated air according to Pneurop/ISO Kl. 5
Control pressure:	Rated to 6 bar
Actuator   Valve:	according to DIN ISO 5211
Actuator   Control valve:	according to Namur resp. VDI/VDE 3845
Actuator   Signal devices:	according to Namur resp. VDI/VDE 3845
Position indicator :	optical, mounted in scope of delivery
<b>Approval:</b>	ATEX

#### Connecting thread female/female



Art. Nr.	Rp"	øD	A mm	B mm	C mm	L mm	l mm	SW mm	Nm
PE010768-04	1/2"	15	119	154	71	62	15	25	7   11
PE010768-05	3/4"	20	123	154	71	72	16	31	7   11
PE010768-06	1"	25	127	154	71	82	17	38	7   11
PE020768-07	1 1/4"	32	151	189	90	94	19	48	17   18
PE030768-08	1 1/2"	40	178	210	103	106	21	55	21   35
PE030768-09	2"	50	184	210	103	120	22	68	21   35