

### Brass

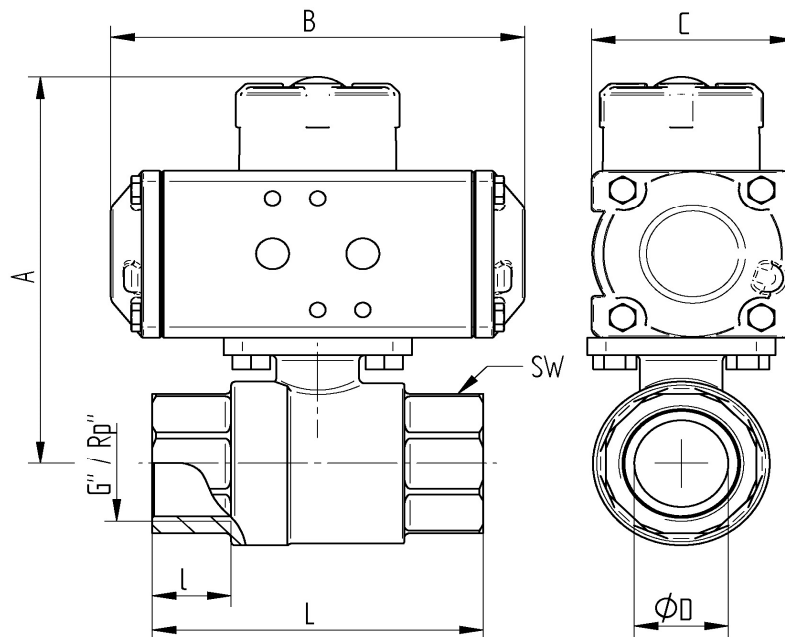
#### TECHNICAL DATA BALL VALVE

|                       |   |
|-----------------------|---|
| temperature range :   | - 20°C up to max. + 120°C, pressure dependent               |
| pressure range :      | max. PN 40 bar  |
| connecting thread :   | DIN 2999 - ISO 7/1 Rp ( 4")<br>DIN EN ISO 228-1 (1/4" - 3") |
| actuator connection : | according to DIN EN ISO 5211                                |
| body material         | CW 617 N, nickel plated                                     |
| ball :                | CW 617 N, chrome plated                                     |
| ball seals :          | PTFE / Viton  |
| stem :                | CW 614 N  |
| stem seals :          | PTFE / Viton  |

#### TECHNICAL DATA ACTUATOR

|                            |   |
|----------------------------|---|
| Design Feature:            | Rack and pinion principle                                   |
| Piston guide:              | Self centering in housing                                   |
| Housing:                   | Aluminum alloy anodized                                     |
| Cover end caps:            | Aluminum alloy, RAL 5002 blue painted                       |
| Seals:                     | NBR   |
| Pinion:                    | Steel chemically hard nickel plated                         |
| Piston   Rack:             | Aluminum alloy  |
| Pivot angle:               | 90° adjustable from +5° to -5                               |
| Operating temperature:     | -15°C to +80°C  |
| Torque max:                | Torque table   Pilot pressure table                         |
| Control medium:            | Filtered & lubricated air<br>according to Pneurop/ISO Kl. 5 |
| Control pressure:          | Rated to 6 bar  |
| Actuator   Valve:          | according to DIN ISO 5211                                   |
| Actuator   Control valve:  | according to Namur resp. VDI/VDE 3845                       |
| Actuator   Signal devices: | according to Namur resp. VDI/VDE 3845                       |
| Position indicator :       | optical, mounted in scope of delivery                       |
| <b>Approval:</b>           | ATEX  |

### Connecting thread female/female



| Art. Nr.    | G"(Rp")  | øD | A mm | B mm | C mm | L mm | l mm | SW mm | Nm      |
|-------------|----------|----|------|------|------|------|------|-------|---------|
| PE010767-04 | G 1/2"   | 15 | 119  | 154  | 71   | 64   | 17   | 26    | 7   11  |
| PE010767-05 | G 3/4"   | 20 | 123  | 154  | 71   | 76   | 19   | 32    | 7   11  |
| PE010767-06 | G 1"     | 25 | 127  | 154  | 71   | 88   | 21   | 40    | 7   11  |
| PE020767-07 | G 1 1/4" | 32 | 151  | 189  | 90   | 96   | 22   | 50    | 17   18 |
| PE030767-08 | G 1 1/2" | 40 | 178  | 210  | 103  | 103  | 22   | 54    | 21   35 |
| PE030767-09 | G 2"     | 50 | 184  | 210  | 103  | 121  | 25   | 70    | 21   35 |