

Brass

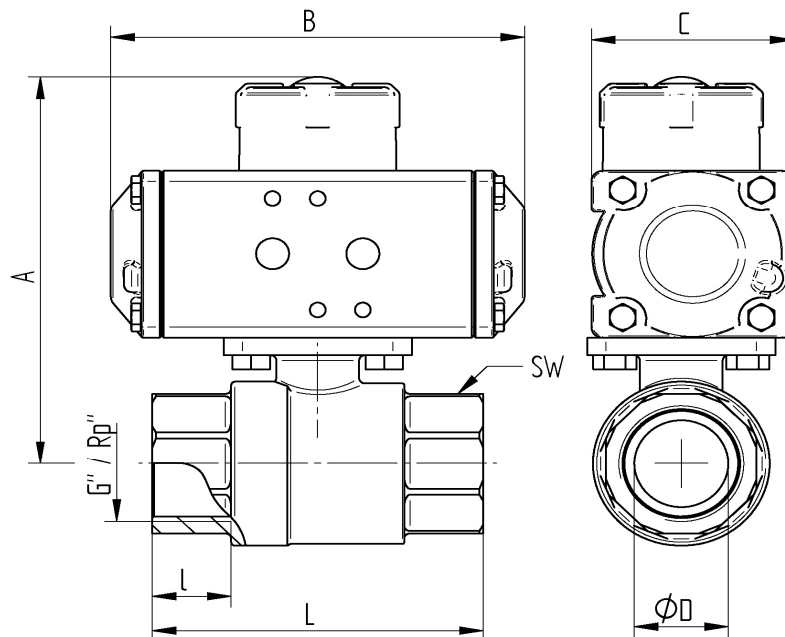
TECHNICAL DATA BALL VALVE

temperature range :	- 20°C up to max. + 120°C, pressure dependent
pressure range :	max. PN 40 bar
connecting thread :	DIN 2999 - ISO 7/1 Rp (4") DIN EN ISO 228-1 (1/4" - 3")
actuator connection :	according to DIN EN ISO 5211
body material	CW 617 N, nickel plated
ball :	CW 617 N, chrome plated
ball seals :	PTFE / Viton
stem :	CW 614 N
stem seals :	PTFE / Viton

TECHNICAL DATA ACTUATOR

Design Feature:	Rack and pinion principle
Piston guide:	Self centering in housing
Housing:	Aluminum alloy anodized
Cover end caps:	Aluminum alloy, RAL 5002 blue painted
Seals:	NBR
Pinion:	Steel chemically hard nickel plated
Piston Rack:	Aluminum alloy
Pivot angle:	90° adjustable from +5° to -5
Operating temperature:	-15°C to +80°C
Torque max:	Torque table Pilot pressure table
Control medium:	Filtered & lubricated air according to Pneurop/ISO Kl. 5
Control pressure:	Rated to 6 bar
Actuator Valve:	according to DIN ISO 5211
Actuator Control valve:	according to Namur resp. VDI/VDE 3845
Actuator Signal devices:	according to Namur resp. VDI/VDE 3845
Position indicator :	optical, mounted in scope of delivery
Approval:	ATEX

Connecting thread female/female



Art. Nr.	G"(Rp")	øD	A mm	B mm	C mm	L mm	l mm	SW mm	Nm
PD010767-04	G 1/2"	15	99	110	47	64	17	26	7
PD010767-05	G 3/4"	20	102	110	47	76	19	32	7
PD010767-06	G 1"	25	106	110	47	88	21	40	7
PD020767-07	G 1 1/4"	32	131	154	71	96	22	50	22
PD020767-08	G 1 1/2"	40	147	154	71	103	22	54	22
PD020767-09	G 2"	50	154	154	71	121	25	70	22