

Stainless steel

TECHNICAL DATA BALL VALVE:

temperature range :	-20°C up to max. +180°C, pressure dependent
pressure range :	max. PN 40 bar
flange connection :	according to EN 1092-1
actuator connection :	according to ISO 5211
body material :	Stainless steel 1.4408
ball :	Stainless steel 1.4401
ball seals :	R-PTFE (15%)
stem:	Stainless steel 1.4401
stem seals :	PTFE FKM O-ring
Security:	blow-out proofed stem, with anti-static device

Approval : ATEX acc.to 2014/34/EU

9342-T-PORT

9343-L-PORT

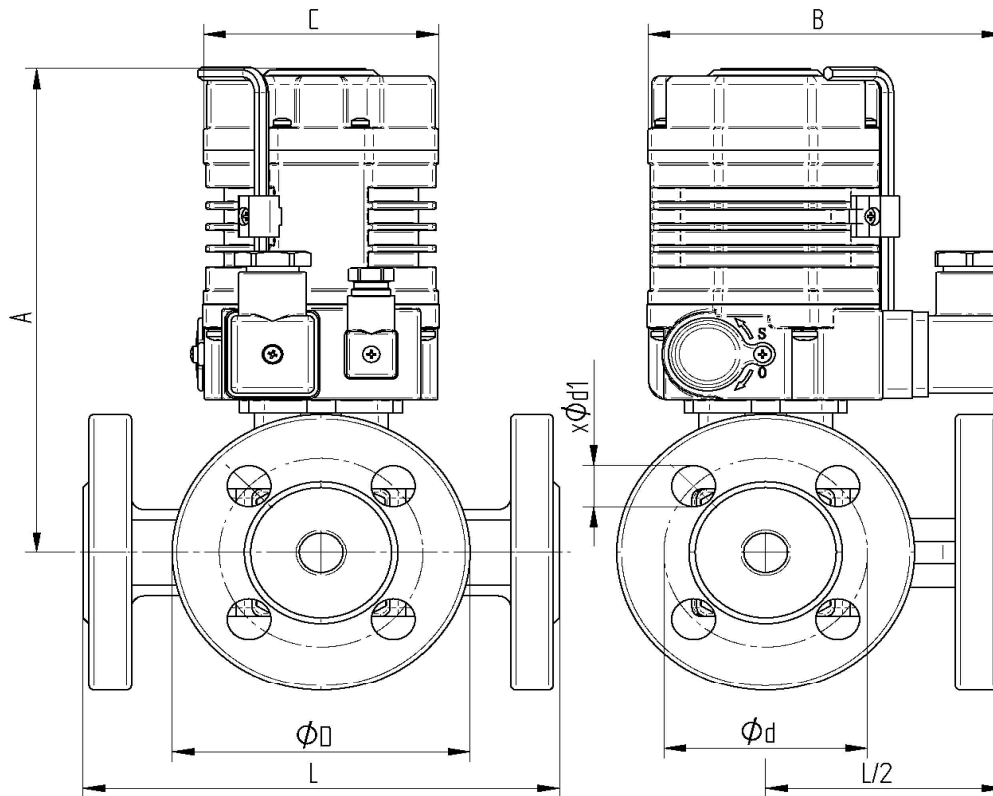
TECHNICAL DATA ACTUATOR

Functionality :	*Open* *Close*
Control voltage :	AE 01 : 230V AC 50/60 Hz. AE 02 : 24V DC
power drain:	AE 01: 6 W AE 02: 8 W
Operating temperature:	- 25°C up to + 55°C
manipulating time:	15s for 90° at 18 Nm
Rotary corner :	opposed to 90 ° for ball valve max. 360 °
Torque max. :	18 Nm
Protective kind:	IP 64
Elektr. connection:	1 connector: voltage supply 1 connector: position feedback signal
position switch:	2 piece for 90° rotation 2 piece for feedback *Open* *Close*

Junction

ISO-Connection:	according to DIN ISO 5211 F 03/04/05 square 9x9/ 11x11
Position indicator:	optical

Flange connection



Art. Nr. 230V 50 Hz.	Art. Nr. 24V DC	øDN	A mm	B mm	C mm	L mm	øD mm	ød mm	Xød1 mm	Sek.	Nm
AE01 9342 / 9343-04	AE02 9342 / 9343-04	15	167	116	75	152	95	65	4xø14	15	18

01/2025