

Stainless steel

TECHNICAL DATA BALL VALVE:

temperature range :	-20°C up to max. +180°C, pressure dependent
pressure range :	max. PN 40 bar
flange connection :	according to EN 1092-1
actuator connection :	according to ISO 5211
body material :	Stainless steel 1.4408
ball :	Stainless steel 1.4401
ball seals :	R-PTFE (15%)
stem:	Stainless steel 1.4401
stem seals :	PTFE FKM O-ring
Security:	blow-out proofed stem, with anti-static device

Approval : ATEX acc.to 2014/34/EU

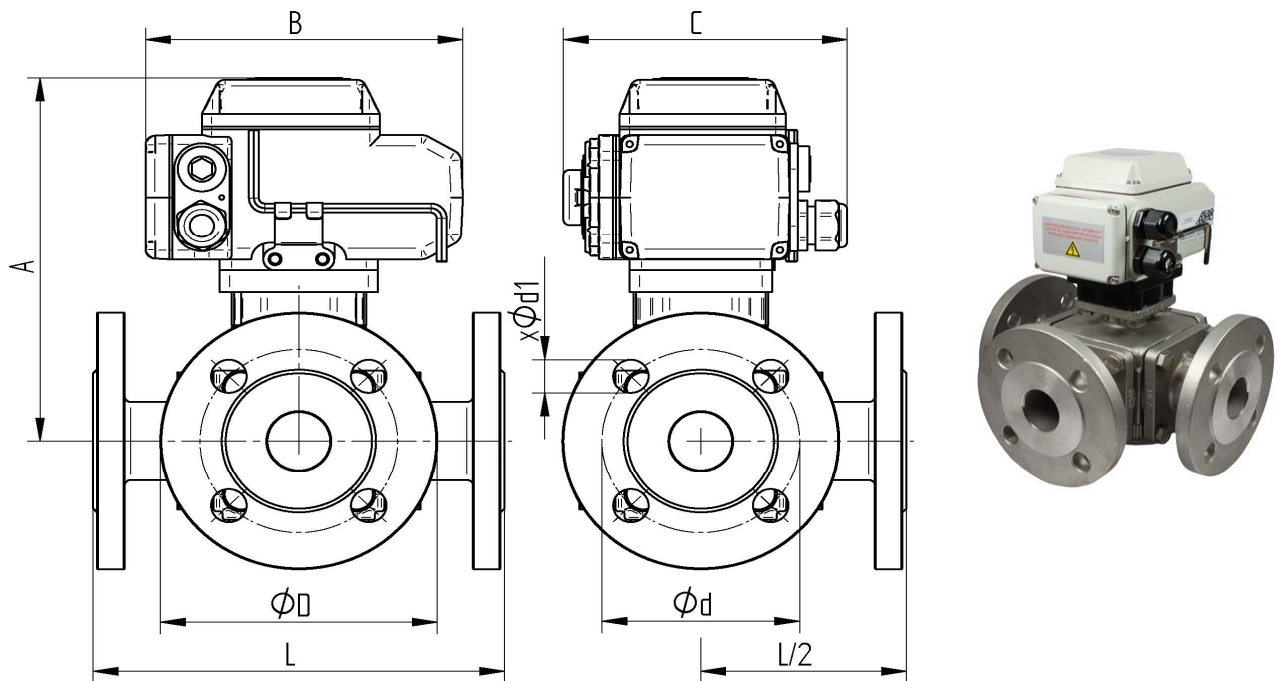
9342-T-PORT

9343-L-PORT

TECHNICAL DATA ACTUATOR

Functionality :	*Open* * Close *
Control voltage :	230 V AC 50/60 Hz; 24 V DC
Operating temperature:	- 25° C up to + 55 ° C
Turning angle:	opposed to 90 ° for ball valve max. 270 °
Protective kind:	IP 67
Elektr. connection:	1 M20 Screw connection: Voltage supply 1 M20 Screw connection: Position feedback signal
Limit switches:	2 piece for 90° rotation 2 piece for feedback *Open* *Close*
Manual override:	Allen key
Housing cover:	Aluminium alloy coated
Junction	
ISO-Connection:	according to DIN ISO 5211
Position indicator:	optical

Flange connection



Art. Nr. 230V 50 Hz.	Art. Nr. 24V DC	øDN	A mm	B mm	C mm	L mm	øD mm	ød mm	Xød1 mm	Sek.	Nm
AE06 9342 / 9343-04	AE07 9342 / 9343-04	15	182	160	140	152	95	65	4xø14	25	50
AE06 9342 / 9343-05	AE07 9342 / 9343-05	20	187	160	140	167	105	75	4xø14	25	50
AE06 9342 / 9343-06	AE07 9342 / 9343-06	25	193	160	140	180	115	85	4xø14	25	50
AE09 9342 / 9343-07	AE10 9342 / 9343-07	32	229	197	140	190	140	100	4xø18	30	100
AE09 9342 / 9343-08	AE10 9342 / 9343-08	40	236	197	140	212	150	110	4xø18	30	100
AE11 9342 / 9343-09	AE12 9342 / 9343-09	50	281	255	182	230	165	125	4xø18	30	200
AE11 9342 / 9343-10	AE12 9342 / 9343-10	65	306	255	182	290	185	145	4xø18	30	200
AE13 9342 / 9343-11	AE14 9342 / 9343-11	80	319	255	182	310	200	160	8xø18	30	400
AE13 9342 / 9343-12	AE14 9342 / 9343-12	100	341	255	182	350	220	180	8xø18	30	400

08/2024