

Stainless steel

TECHNICAL DATA BALL VALVE:

Design:	3-way ball valve with reduced port
Connection:	Threaded in acc.to DIN EN 10226-1
Body material:	Stainless steel 1.4408
Body cap material:	Stainless steel 1.4408
Ball material:	Stainless steel 1.4401
Ball seat:	R-PTFE (15%)
Stem material:	Stainless steel 1.4401
Stem packing:	PTFE FKM O-Ring
ISO Flange:	Acc.to DIN EN ISO 5211
Safety:	Blow-out proof design, antistatic
Medium temperature:	-25°C up to max. +180°C, pressure dependent
Pressure rating:	Max. PN 63bar, temperature dependent
Approval:	ATEX II 2G Ex h IIB T2 Gb ATEX II 2D Ex h IIIB T280° Db

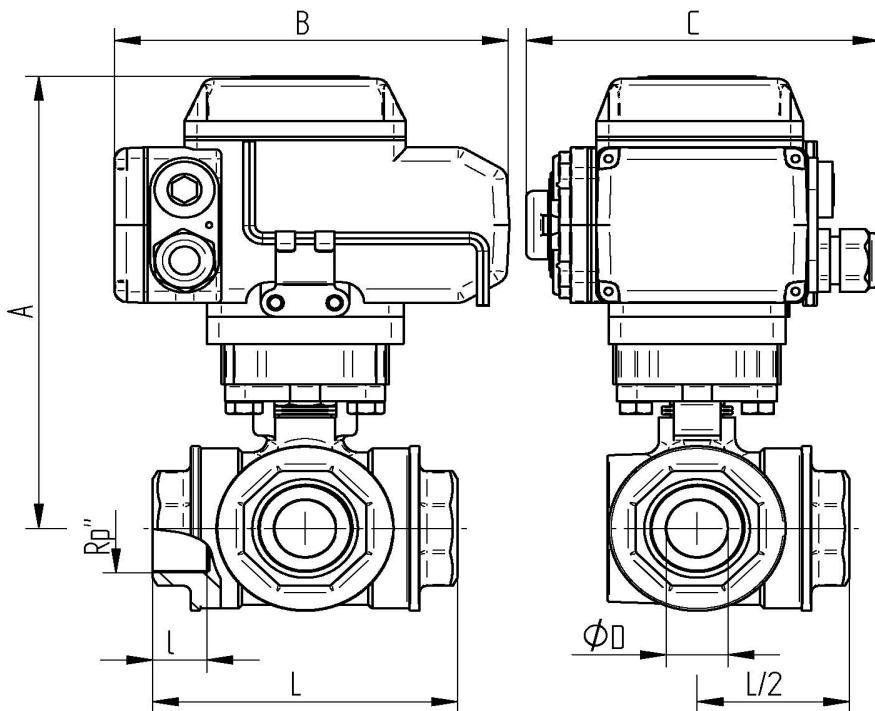
TECHNICAL DATA ACTUATOR

Functionality :	*OPEN* *CLOSE
Control voltage :	230V AC 50/60 Hz. 24V DC
Operating temperature :	- 25°C up to max. + 55°C
Angle of rotation :	set 90 ° for ball valves max. 360 °
Protection class :	IP 67
Electrical connection :	1 M20 Screw: Voltage supply 1 M20 Screw: Position feedback signal
Limit switch :	2 pieces for 90° rotation 2 pieces for feedback *Open* *Close*
Position indicator:	optical
Actuator connection:	Acc.to DIN EN ISO 5211 [direct assembly]
Housing cover:	Aluminium alloy coated
Manual override:	Allen key

9338-L-PORT

9339-T-PORT

Connecting thread female



Item No.. 230V 50 Hz.	Item No.. 24V DC	G"	DN	øD mm	A mm	B mm	C mm	L mm	l mm	sec.	Nm
AE04 9338 / 9339-06	AE05 9338 / 9339-06	1"	25	20	181	162	138	100	22	12	30
AE04 9338 / 9339-07	AE05 9338 / 9339-07	1 1/4"	32	25	190	162	138	122	24	12	30
AE06 9338 / 9339-08	AE07 9338 / 9339-08	1 1/2"	40	32	194	162	138	131	25	25	50
AE06 9338 / 9339-09	AE07 9338 / 9339-09	2"	50	40	205	162	138	158	28	25	50
AE09 9338 / 9339-10	AE10 9338 / 9339-10	2 1/2"	65	49	254	196	145	178	30	30	100
AE11 9338 / 9339-11	AE12 9338 / 9339-11	3"	80	60	302	255	182	202	33	30	200
AE11 9338 / 9339-12	AE12 9338 / 9339-12	4"	100	75	315	255	182	246	39	30	200