

Stainless steel

TECHNICAL DATA BALL VALVE:

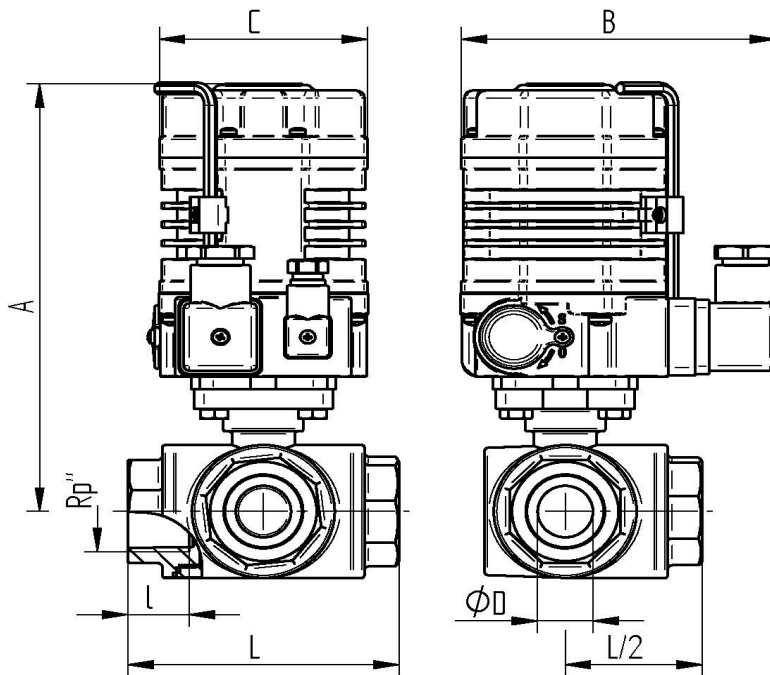
Design:	3-way ball valve with reduced port
Connection:	Threaded in acc.to DIN EN 10226-1
Body material:	Stainless steel 1.4408
Body cap material:	Stainless steel 1.4408
Ball material:	Stainless steel 1.4401
Ball seat:	R-PTFE (15%)
Stem material:	Stainless steel 1.4401
Stem packing:	PTFE FKM O-Ring
ISO Flange:	Acc.to DIN EN ISO 5211
Safety:	Blow-out proof design, antistatic
Medium temperature:	-25°C up to max. +180°C, pressure dependent
Pressure rating:	Max. PN 63bar, temperature dependent
Approval:	ATEX II 2G Ex h IIB T2 Gb ATEX II 2D Ex h IIIB T280° Db

9338-L-PORT
9339-T-PORT

TECHNICAL DATA ACTUATOR

Functionality :	*OPEN* * CLOSE
Control voltage :	AE01: 230V AC 50/60 Hz. AE02: 24V DC
Power consumption :	AE01: 6 W AE02: 8 W
Operating temperature :	- 25°C up to max. + 55°C
Operating time :	approx. 15 sec. for 90° at 18 Nm
Angle of rotation :	set 90° for ball valves max. 360°
Torque max :	18 Nm
Protection class :	IP 64
Electrical connection :	1 external plug for voltage 1 external plug for signal
Limit switch :	2 pieces for 90° rotation 2 pieces for feedback *Open* *Close*
Position indicator:	optical
Actuator connection:	Acc.to DIN EN ISO 5211 [direct assembly]
Star:	F03 F04 F05 square 9x9 11x11
Housing cover:	Aluminium alloy coated
Manual override:	Allen key

Connecting thread female



Item No. 230V 50 Hz.	Item No. 24V DC	Rp"	DN	øD mm	L mm	l mm	A mm	B mm	C mm
AE01 9338 / 9339-02	AE02 9338 / 9339-02	1/4"	8	9,5	75	17	156	116	75
AE01 9338 / 9339-03	AE02 9338 / 9339-03	3/8"	12	11	75	17	156	116	75
AE01 9338 / 9339-04	AE02 9338 / 9339-04	1/2"	15	12	75	17	156	116	75
AE01 9338 / 9339-05	AE02 9338 / 9339-05	3/4"	20	15	85	20	160	116	75