

Stainless steel

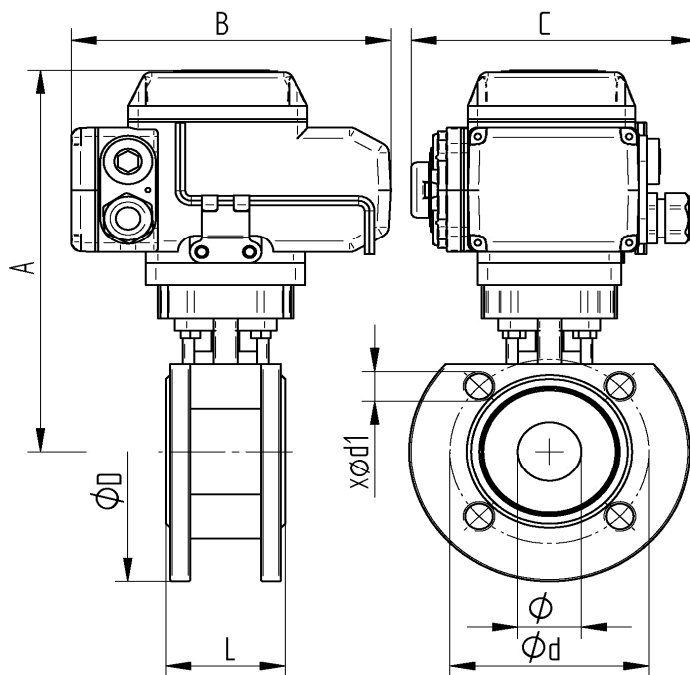
TECHNICAL DATA BALL VALVE:

Body material:	Stainless steel 1.4408
Flange material:	Stainless steel 1.4408
Screw ring	Stainless steel 1.4408
Ball material:	Stainless steel 1.4401
Ball seat:	R-PTFE (15%)
Stem material:	Stainless steel 1.4401
Stem packing:	PTFE FKM O-Ring
Body wall thickness:	Acc.to EN 12516-1
Flange connection:	Acc.to DIN 2501/1 - EN 1092-1
Face to face dimension:	Acc.to EN558-1 Row 27
ISO Flange:	Acc.to DIN EN ISO 5211
Safety:	Blow-out proofed, antistatic
Medium temperature:	-25°C up to max. +180°C, pressure dependent
Pressure rating:	Max. PN 40 bar, temperature dependent
Approval:	ATEX II 2G Ex h IIB T2 Gb ATEX II 2D Ex h IIIB T280° Db

TECHNICAL DATA ACTUATOR

Functionality :	*OPEN* *CLOSE
Control voltage :	230V AC 50/60 Hz. 24V DC
Operating temperature :	- 25°C up to max. + 55°C
Angle of rotation :	set 90 ° for ball valves max. 360 °
Protection class :	IP 67
Electrical connection :	1 M20 Screw: Voltage supply 1 M20 Screw: Position feedback signal
Limit switch :	2 pieces for 90° rotation 2 pieces for feedback *Open* *Close*
Position indicator:	optical
Actuator connection:	Acc.to DIN EN ISO 5211 [direct assembly]
Housing cover:	Aluminium alloy coated
Manual override:	Allen key

Flange connections



Item No. 230V 50 Hz.	Item No. 24V DC	øDN	ø mm	A mm	B mm	C mm	L mm	øD mm	ød mm	ød1 mm	Sek.	Nm.
AE06 0939-07	AE07 0939-07	32	32	205	160	140	53	140	100	4xM16	25	50
AE06 0939-08	AE07 0939-08	40	38	211	160	140	65	150	110	4xM16	25	50
AE06 0939-09	AE07 0939-09	50	50	219	160	140	78	165	125	4xM16	25	50
AE09 0939-10	AE10 0939-10	65	63,5	253	197	145	98	185	145	4xM16	30	100
AE09 0939-11	AE10 0939-11	80	76	269	197	145	118	200	160	8xM16	30	100
AE11 0939-12	AE12 0939-12	100	95	319	255	182	140	220	180	8xM16	30	200
AE13 0939-13	AE14 0939-13	125	125	351	255	182	195	250	210	8xM16	30	400
AE15 0939-14	AE16 0939-14	150	150	369	255	182	225	285	240	8xM20	45	600

08/2024