

Stainless steel

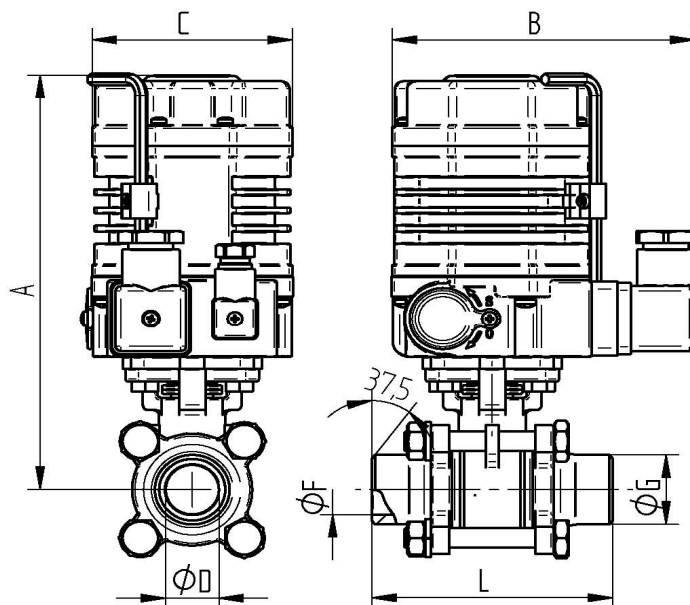
TECHNICAL DATA BALL VALVE:

Design:	3-piece model with full port
Connection:	Threaded ends acc.to DIN EN 10226-1
Body material:	Stainless steel 1.4408
Body cap material:	Stainless steel 1.4408
Ball material:	Stainless steel 1.4401
Ball seat:	R-PTFE (15%)
Stem material:	Stainless steel 1.4401
Stem packing:	PTFE FKM O-Ring
ISO Flange:	Acc.to DIN EN ISO 5211
Handle:	Stainless steel 1.4301 PVC-blue plastic sleeve, lockable
Safety:	Blow-out proofed, antistatic
Medium temperature:	-25°C up to max. +180°C, pressure dependent
Pressure rating:	Max. PN 63bar, temperature dependent
Approval:	ATEX II 2G Ex h IIB T2 Gb ATEX II 2D Ex h IIIB T280° Db ATEX II 2D Ex h IIIB T280° Db

TECHNICAL DATA ACTUATOR

Functionality :	*OPEN* *CLOSE
Control voltage :	AE01: 230V AC 50/60 Hz. AE02: 24V DC
Power consumption :	AE01: 6 W AE02: 8 W
Operating temperature :	- 25°C up to max. + 55°C
Operating time :	approx. 15 sec. for 90° at 18 Nm
Angle of rotation :	set 90 ° for ball valves max. 360 °
Torque max :	18 Nm
Protection class :	IP 64
Electrical connection :	1 external plug for voltage 1 external plug for signal
Limit switch :	2 pieces for 90° rotation 2 pieces for feedback *Open* *Close*
Position indicator:	optical
Actuator connection:	Acc.to DIN EN ISO 5211 [direct assembly]
Star:	F03 F04 F05 square 9x9 11x11
Housing cover:	Aluminium alloy coated
Manual override:	Allen key

Butt welded ends



Art. No. 230V 50 Hz.	Art. No. 24V DC	DN	øF mm	øG mm	L mm	A mm	B mm	C mm
AE01 9337-02	AE02 9337-02	10	11	18,1	70	150	116	75
AE01 9337-03	AE02 9337-03	12	12,5	18,1	70	150	116	75
AE01 9337-04	AE02 9337-04	15	15	21,7	75	161	116	75
AE01 9337-05	AE02 9337-05	20	20	27,2	90	169	116	75
AE01 9337-06	AE02 9337-06	25	25	34	100	177	116	75