

Stainless steel

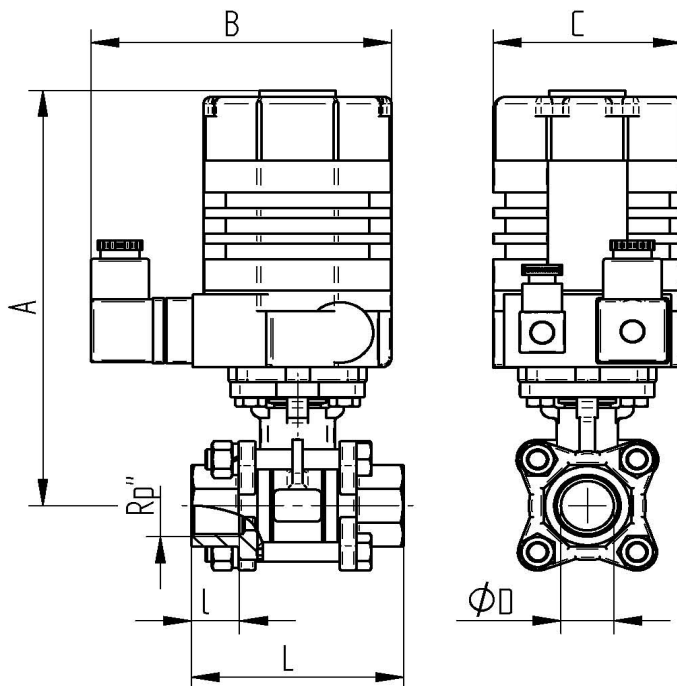
TECHNICAL DATA BALL VALVE:

Construction:	2-way full bore ball valve
Design:	3-part design
Connection end:	Thread acc.to DIN EN ISO 10226-1
Body:	Stainless steel 1.4408
Screw-in sleeve:	Stainless steel 1.4408
Ball:	Stainless steel 1.4401
Stem:	Stainless steel 1.4401 Blow-out proof
Ball seal:	R-PTFE (15%)
Stem seal:	PTFE FKM O-ring
Actuator connection:	Acc.to DIN EN ISO 5211 [direct assembly]
Medium temperature:	-25°C up to max. +180°C, pressure dependend
Medium pressure:	Max. 63 bar temperature-dependent
Approval:	ATEX II 2G Ex h IIB T2 Gb ATEX II 2D Ex h IIB T280° Db

TECHNICAL DATA ACTUATOR

Functionality :	*OPEN* * CLOSE
Control voltage :	AE01: 230V AC 50/60 Hz. AE02: 24V DC
Power consumption :	AE01: 6 W AE02: 8 W
Operating temperature :	- 25°C up to max. + 55°C
Operating time :	approx. 15 sec. for 90° at 18 Nm
Angle of rotation :	set 90 ° for ball valves max. 360 °
Torque max :	18 Nm
Protection class :	IP 64
Electrical connection :	1 external plug for voltage 1 external plug for signal
Limit switch :	2 pieces for 90° rotation 2 pieces for feedback *Open* *Close*
Position indicator:	optical
Actuator connection:	Acc.to DIN EN ISO 5211 [direct assembly]
Star:	F03 F04 F05 square 9x9 11x11
Housing cover:	Aluminium alloy coated
Manual override:	Allen key

Connecting thread female/female



Art. No. 230V 50 Hz.	Art. No. 24V DC	G "	DN	øD mm	L mm	l mm	A mm	B mm	C mm
AE01 9336-02	AE02 9336-02	1/4"	10	11	50	10	150	116	75
AE01 9336-03	AE02 9336-03	3/8"	12	12,5	60	11	150	116	75
AE01 9336-04	AE02 9336-04	1/2"	15	15	75	15,5	161	116	75
AE01 9336-05	AE02 9336-05	3/4"	20	20	80	16	169	116	75
AE01 9336-06	AE02 9336-06	1"	25	25	90	19	177	116	75