

Stainless steel

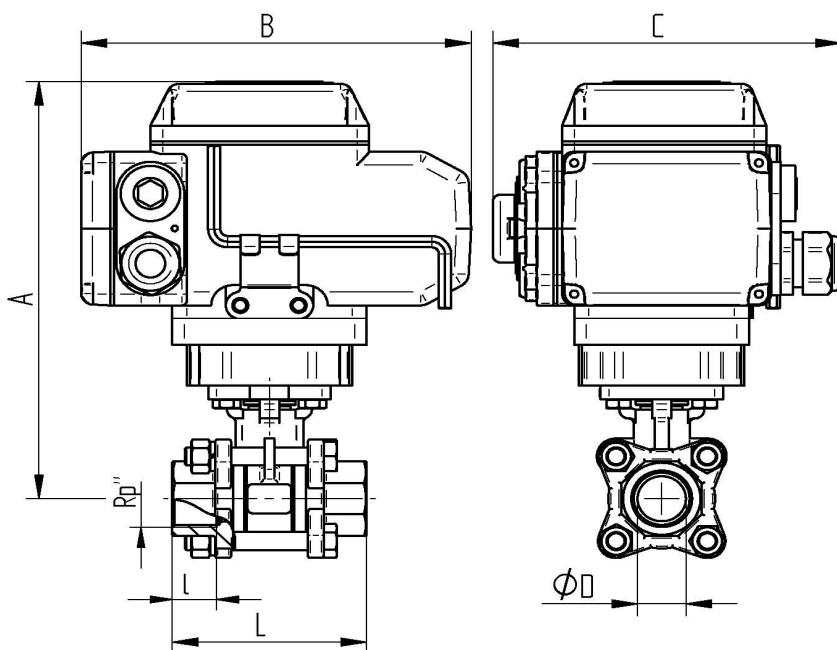
TECHNICAL DATA BALL VALVE:

Construction:	2-way full bore ball valve
Design:	3-part design
Connection end:	Thread acc.to DIN EN ISO 10226-1
Body:	Stainless steel 1.4408
Screw-in sleeve:	Stainless steel 1.4408
Ball:	Stainless steel 1.4401
Stem:	Stainless steel 1.4401 Blow-out proof
Ball seal:	R-PTFE (15%)
Stem seal:	PTFE FKM O-ring
Actuator connection:	Acc.to DIN EN ISO 5211 [direct assembly]
Medium temperature:	-25°C up to max. +180°C, pressure dependend
Medium pressure:	Max. 63 bar temperature-dependent
Approval:	ATEX II 2G Ex h IIB T2 Gb ATEX II 2D Ex h IIIB T280° Db

TECHNICAL DATA ACTUATOR

Functionality :	*OPEN* * CLOSE
Control voltage :	230V AC 50/60 Hz. 24V DC
Operating temperature :	- 25°C up to max. + 55°C
Angle of rotation :	set 90 ° for ball valves max. 360 °
Protection class :	IP 67
Electrical connection :	1 M20 Screw: Voltage supply 1 M20 Screw: Position feedback signal
Limit switch :	2 pieces for 90° rotation 2 pieces for feedback *Open* *Close*
Position indicator:	optical
Actuator connection:	Acc.to DIN EN ISO 5211 [direct assembly]
Housing cover:	Aluminium alloy coated
Manual override:	Allen key

Connecting thread female/female



Art. Nr. 230V 50 Hz.	Art. Nr. 24V DC	Rp"	DN	øD mm	L mm	l mm	A mm	B mm	C mm	sec	Nm
AE06 9336-07	AE07 9336-07	1 1/4"	32	32	110	21	198	162	138	25	50
AE06 9336-08	AE07 9336-08	1 1/2"	40	40	120	21	204	162	138	25	50
AE06 9336-09	AE07 9336-09	2"	50	50	140	25	212	162	138	25	50
AE09 9336-10	AE10 9336-10	2 1/2"	65	65	185	30	258	196	145	30	100
AE09 9336-11	AE10 9336-11	3"	80	80	205	33	271	196	145	30	100
AE11 9336-12	AE12 9336-12	4"	100	100	240	39	322	255	182	30	200