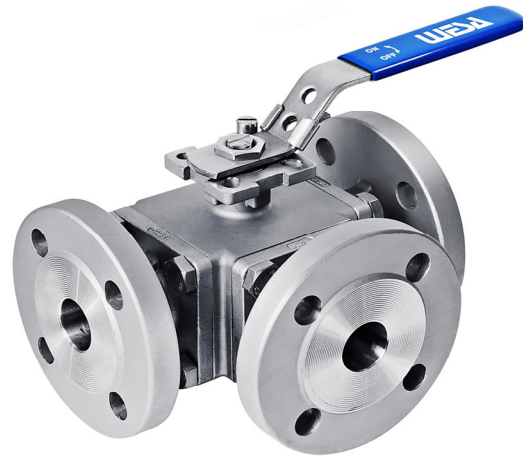


Stainless steel

TECHNISCHE DATEN

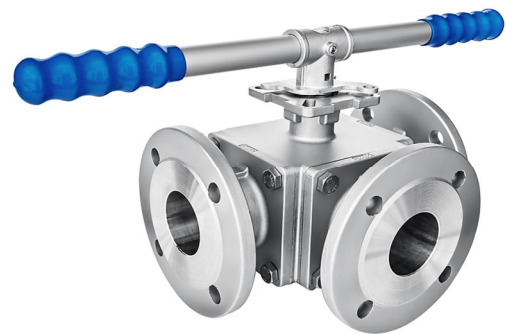
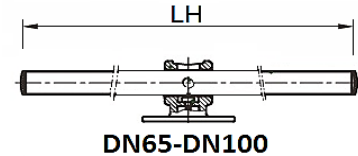
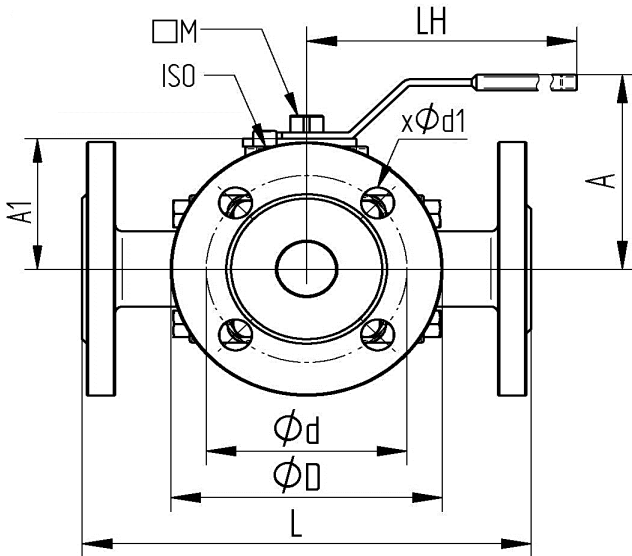
Design:	3-way ball valve, full bore
Construction:	4-part design sealing on all sides Centre section radially removable.
Connection end:	Flange according to DIN 2501/1-EN 1092-1
Flange PN40	DN15-DN50
Flange PN16	DN65-DN100
Actuator connection:	According to DIN EN ISO 5211 [direct assembly]
Medium temperature:	-25°C to +180°C pressure-dependent
Medium pressure:	Max. 40 bar DN and temperature-dependent
Housing:	Stainless steel 1.4408
Screw-on parts:	Stainless steel 1.4408
Ball:	Stainless steel 1.4401
Ball seal:	R-PTFE (15%)
Spindle:	Stainless steel 1.4401 blow-out proof, antistatic
Spindle seal:	PTFE FKM O-ring
DN15-DN50:	Handle with locking device
DN65-DN100:	Stainless steel 1.4301 with blue plastic sleeve Tube lever
Automation:	Galvanised steel with blue plastic sleeve Electric pneumatic actuator

Item 9342 : T-PORT
Item 9343 : L-PORT



Approval: ATEX acc.to 2014/34/EL

Flange connection



Item Number	Size	DN	L mm	A mm	A1 mm	LH mm	øD mm	ød mm	Xød1 mm	øISO	M mm	PN bar	Nm	Weight (Kg)		
9342	9343	-04	15	152	77	48	130	95	65	4xø14	F 03/04	9	40	12	3,4	3,4
9342	9343	-05	20	167	84	53	161	105	75	4xø14	F 04/05	11	40	16	5,3	5,3
9342	9343	-06	25	180	93	59	163	115	85	4xø14	F 04/05	11	40	22	7,4	7,3
9342	9343	-07	32	190	113	71	209	140	100	4xø18	F 05/07	14	40	32	10,4	10,3
9342	9343	-08	40	212	121	78	209	150	110	4xø18	F 05/07	14	40	45	14,3	14,1
9342	9343	-09	50	230	126	85	209	165	125	4xø18	F 05/07	14	40	60	18,4	18,2
9342	9343	-10	65	290	175	110	450	185	145	4xø18	F 07/10	17	16	100	27,3	26,6
9342	9343	-11	80	310	188	123	500	200	160	8xø18	F 07/10	17	16	150	39,1	38,3
9342	9343	-12	100	350	211	145	550	220	180	8xø18	F 07/10	17	16	250	59,6	56,9

Kugelstellung durch Spindelmarkierung

08/2023