

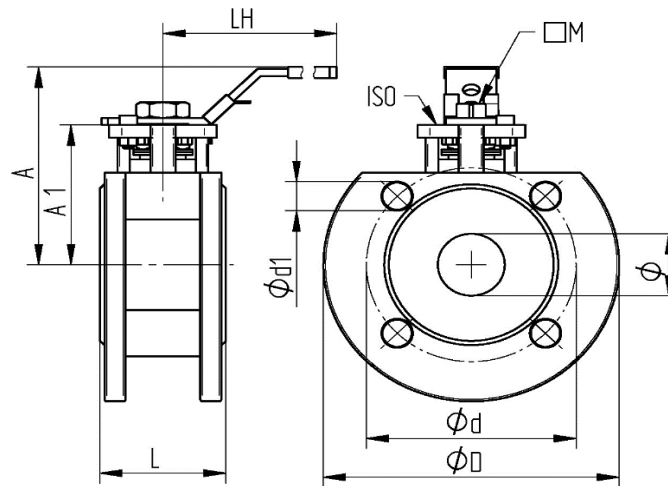
Stainless steel-manually operated DN50 - DN100

Technical data

Body material:	Stainless steel 1.4408
Flange material:	Stainless steel 1.4408
Screw ring	Stainless steel 1.4408
Ball material:	Stainless steel 1.4401
Ball seat:	R-PTFE (15%)
Stem material:	Stainless steel 1.4401
Stem packing:	PTFE FKM O-Ring
Body wall thickness:	Acc.to EN 12516-1
Flange connection:	Acc.to DIN 2501/1 - EN 1092-1
Face to face dimension:	Acc.to EN558-1 Row 27
ISO Flange:	Acc.to DIN EN ISO 5211
Handle: DN15-DN100:	Stainless steel 1.4301, PVC-blue plastic sleeve, lockable
Safety:	Blow-out proofed, antistatic
Medium temperature:	-25°C up to max. +180°C, pressure dependent
Pressure rating:	Max. PN 40 bar, temperature dependent
Approval:	ATEX II 2G Ex h IIB T2 Gb ATEX II 2D Ex h IIB T280° Db



Flange connection



Articol Nr.	øDN	ø	A mm	A1 mm	L mm	LH mm	øD mm	ød mm	ød1	M mm	øISO	Nm	PN bar	weight (Kg)
939-04	15	15	89	55	36	117	95	65	4xM12	9	F03 F04	5	40	1,16
939-05	20	20	94	60	38	117	105	75	4xM12	9	F03 F04	8	40	1,48
939-06	25	25	90	59	50	164	115	85	4xM12	11	F04 F05	10	40	1,98
939-07	32	32	100	71	53	164	140	100	4xM16	11	F04 F05	14	40	3,12
939-08	40	40	105	77	65	203	150	110	4xM16	14	F05 F07	18	40	4,02
939-09	50	50	125	85	78	203	165	125	4xM16	14	F05 F07	25	40	5,22
939-10	65	65	140	95	98	255	185	145	4xM16	17	F07 F10	48	16	8,44
939-11	80	76	156	111	118	255	200	160	8xM16	17	F07 F10	75	40	12,08
939-12	100	94	175	123	140	302	220	180	8xM16	17	F07 F10	110	16	17,88

Flow value

939	Gr.	04	05	06	07	08	09	10	11	12
KV Wert [cbm/h]		24	43	83	130	205	340	520	1.100	1.820

07/2024

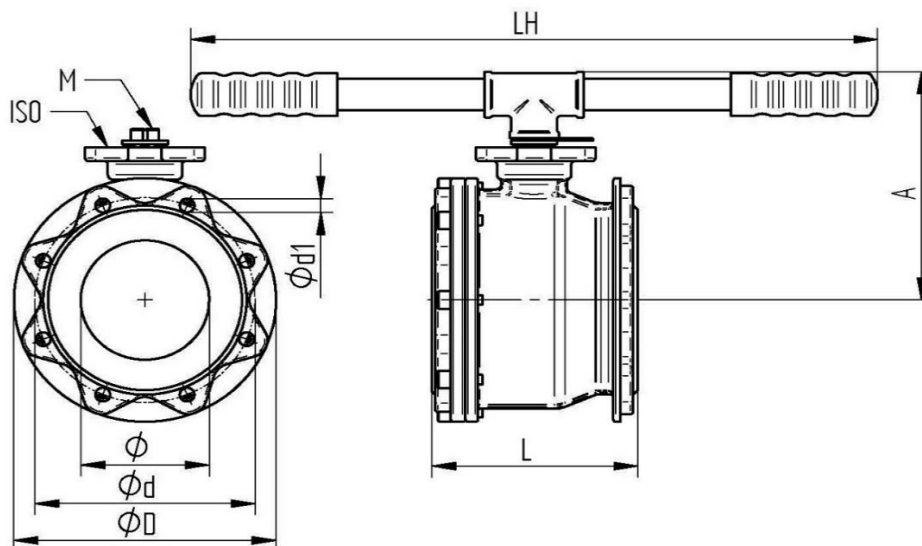
Stainless steel-manually operated DN25 - DN200

Technical data

Body material:	Stainless steel 1.4408
Flange material:	Stainless steel 1.4408
Screw ring	Stainless steel 1.4408
Ball material:	Stainless steel 1.4401
Ball seat:	R-PTFE (15%)
Stem material:	Stainless steel 1.4401
Stem packing:	PTFE FKM O-Ring
Body wall thickness:	Acc.to EN 12516-1
Flange connection:	Acc.to DIN 2501/1 - EN 1092-1
Face to face dimension:	Acc.to EN558-1 Row 27
ISO Flange:	Acc.to DIN EN ISO 5211
Pipe: DN125-DN200:	Stainless steel 1.4301, PVC-blue plastic sleeve, lockable
Safety:	Blow-out proofed, antistatic
Medium temperature:	-25°C up to max. +180°C, pressure dependent
Pressure rating:	Max. PN 16 bar, temperature dependent
Approval:	ATEX II 2G Ex h IIB T2 Gb ATEX II 2D Ex h IIB T280° Db



Flange connection



Articol Nr.	øDN	ø	A mm	A1 mm	L mm	LH mm	øD mm	ød mm	ød1	M mm	øISO	Nm	PN bar	weight (Kg)
939-13	125	125	230	155	195	600	250	210	8xM16	22	F10 F12	200	16	37,00
939-14	150	150	248	173	225	600	285	240	8xM20	22	F10 F12	300	16	52,00
939-15	200	200	300	217	275	800	340	295	12xM20	27	F12 F14	400	16	99,00

Flow value

939	Gr.	13	14	15
KV Wert [cbm/h]		2.530	4.050	8.650