

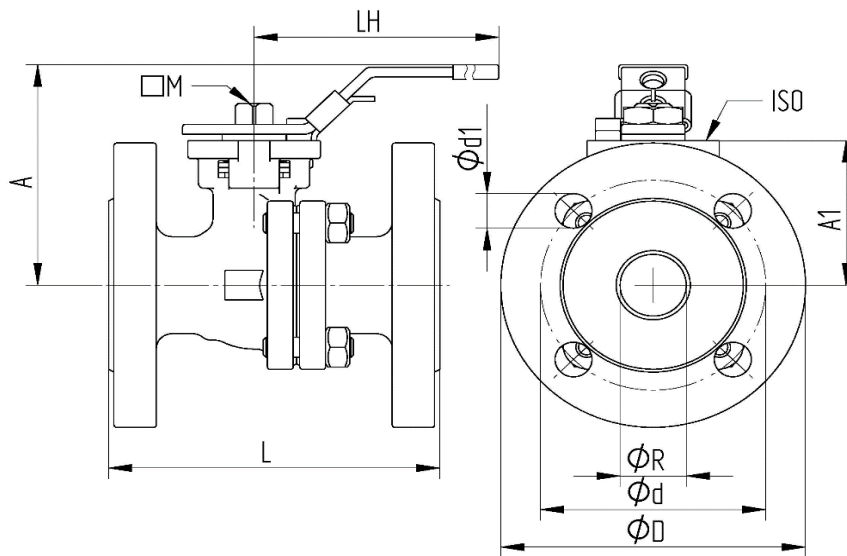
## Stainless steel-manually operated DN50 - DN100

### Technical data

Body material:	Stainless steel 1.4408
Flange material:	Stainless steel 1.4408
Ball material:	Stainless steel 1.4401
Ball seat:	R-PTFE (15%)
Stem material:	Stainless steel 1.4401
Stem packing:	PTFE   FKM O-Ring
Body wall thickness:	Acc.to EN 12516-1
Flange connection:	Acc.to DIN 2501/1 - EN 1092-1
Face to face dimension:	Acc.to EN558-1 Row 27
ISO Flange:	Acc.to DIN EN ISO 5211
Handle: DN15-DN100:	Stainless steel 1.4301, PVC-blue plastic sleeve, lockable
Safety:	Blow-out proofed, antistatic
Medium temperature:	-25°C up to max. +180°C, pressure dependent
Pressure rating:	Max. PN 40 bar, temperature dependent
Approval:	ATEX II 2G Ex h IIB T2 Gb ATEX II 2D Ex h IIIB T280° Db Firesafe acc.to DIN EN ISO 10497



### Flange connection



Articol No.	DN	A mm	A1 mm	L mm	LH mm	ØR mm	ØD mm	Ød mm	Ød1 mm	M mm	ØISO	Nm	PN(bar)	weight (Kg)
920-04	15	82	48	115	117	15	95	65	4xØ14	9	F03 F04	5	40	2,08
920-05	20	87	53	120	117	20	105	75	4xØ14	9	F03 F04	8	40	2,80
920-06	25	90	59	125	164	25	115	85	4xØ14	11	F04 F05	10	40	3,73
920-07	32	100	71	130	164	32	140	100	4xØ18	11	F04 F05	14	40	5,18
920-08	40	116	77	140	203	38	150	110	4xØ18	14	F05 F07	18	40	6,56
920-09	50	125	85	150	203	50	165	125	4xØ18	14	F05 F07	25	40	8,90
920-10	65	154	110	170	255	65	185	145	4xØ18	17	F07 F10	48	16	13,40
920-11	80	164	123	180	255	76	200	160	8xØ18	17	F07 F10	75	16	18,20
920-12	100	180	146	190	302	94	220	180	8xØ18	17	F07 F10	110	16	25,70

### Flow value

920	Gr.	04	05	06	07	08	09	10	11	12
KV value [cbm/h]		24	43	83	130	205	340	520	1.100	1.820

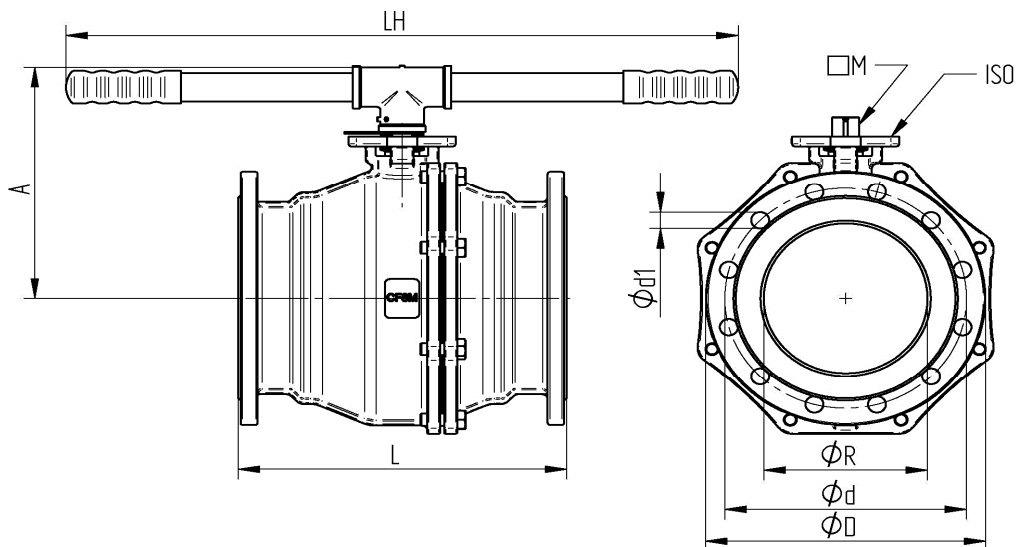
## Stainless steel-manually operated DN125 - DN200

### Technical data

Body material:	Stainless steel 1.4408
Flange material:	Stainless steel 1.4408
Ball material:	Stainless steel 1.4401
Ball seat:	R-PTFE (15%)
Stem material:	Stainless steel 1.4401
Stem packing:	PTFE   FKM O-Ring
Body wall thickness:	Acc.to EN 12516-1
Flange connection:	Acc.to DIN 2501/1 - EN 1092-1
Face to face dimension:	Acc.to EN558-1 Row 27
ISO Flange:	Acc.to DIN EN ISO 5211
Pipe: DN125-DN200:	Stainless steel 1.4301, PVC-blue plastic sleeve, lock
Safety:	Blow-out proofed, antistatic
Medium temperature:	-25°C up to max. +180°C, pressure dependent
Pressure rating:	Max. PN 40 bar, temperature dependent
Approval:	ATEX II 2G Ex h IIB T2 Gb ATEX II 2D Ex h IIB T280° Db Firesafe acc.to DIN EN ISO 10497



### Flange connection



Articol No.	DN	A mm	A1 mm	L mm	LH mm	øR mm	øD mm	ød mm	ød1 mm	M mm	øISO	Nm	PN(bar)	weight (Kg)
920-13	125	260	185	325	600	125	250	240	18	22	F10 F12	200	16	50,50
920-14	150	278	203	350	600	150	285	240	22	22	F10 F12	300	16	69,50
920-15	200	340	257	400	800	200	340	295	22	27	F12 F14	400	16	115,00

### Flow value

920	Gr.	13	14	15
KV value [cbm/h]		2.530	4.050	8.650