

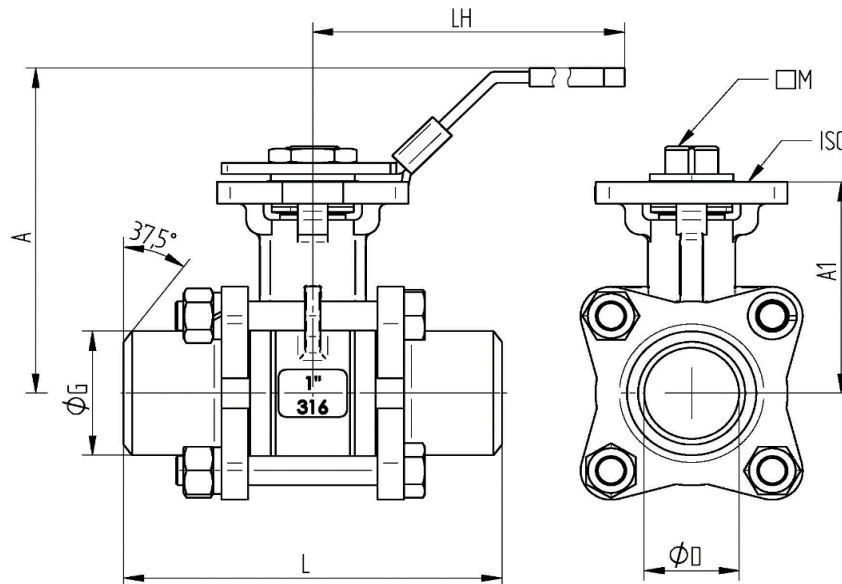
## Stainless steel-manually operated

### Technical data

Design:	3-piece model with full port
Connection:	Butt welded
Body material:	Stainless steel 1.4408
Body cap material:	Stainless steel 1.4408
Ball material:	Stainless steel 1.4401
Ball seat:	R-PTFE (15%)
Stem material:	Stainless steel 1.4401
Stem packing:	PTFE   FKM O-Ring
ISO Flange:	Acc.to DIN EN ISO 5211
Handle:	Stainless steel 1.4301, PVC-blue plastic sleeve, lockable
Safety:	Blow-out proof design, antistatic
Medium temperature:	-25°C up to max. +180°C, pressure dependent
Pressure rating:	Max. PN 63bar, temperature dependent
Approval:	ATEX II 2G Ex h IIB T2 Gb ATEX II 2D Ex h IIIB T280° Db



### Butt welded connection



Article No.	DN	øD	øG mm	A mm	A1 mm	LH mm	L mm	M mm	ø ISO	Nm	PN(bar)	Weight (Kg)
9337-02	10	11	18,1	59	31	115	70	9	F03	4	63	0,45
9337-03	12	12,5	18,1	59	31	115	70	9	F03	4	63	0,46
9337-04	15	15	21,7	70	42	117	75	9	F03 F04	5	63	0,50
9337-05	20	20	27,2	78	50	134	90	11	F04 F05	8	63	0,89
9337-06	25	25	34	87	58	134	100	11	F04 F05	10	63	1,28
9337-07	32	32	42,7	98	64	203	110	14	F05 F07	14	63	1,99
9337-08	40	40	57,6	104	70	203	125	14	F05 F07	18	63	2,96
9337-09	50	50	60,5	112	78	203	150	14	F05 F07	25	63	3,75
9337-10	65	65	76	140	100	255	190	17	F07 F10	48	63	7,50
9337-11	80	80	93	153	113	255	220	17	F07 F10	75	63	12,00
9337-12	100	100	116	166	126	302	270	17	F07 F10	110	63	20,50

### Flow value

9337	Gr.	02	03	04	05	06	07	08	09	10	11	12
CVS value [cbm/h]		6	10	24	43	83	130	205	340	520	1.100	1.820