

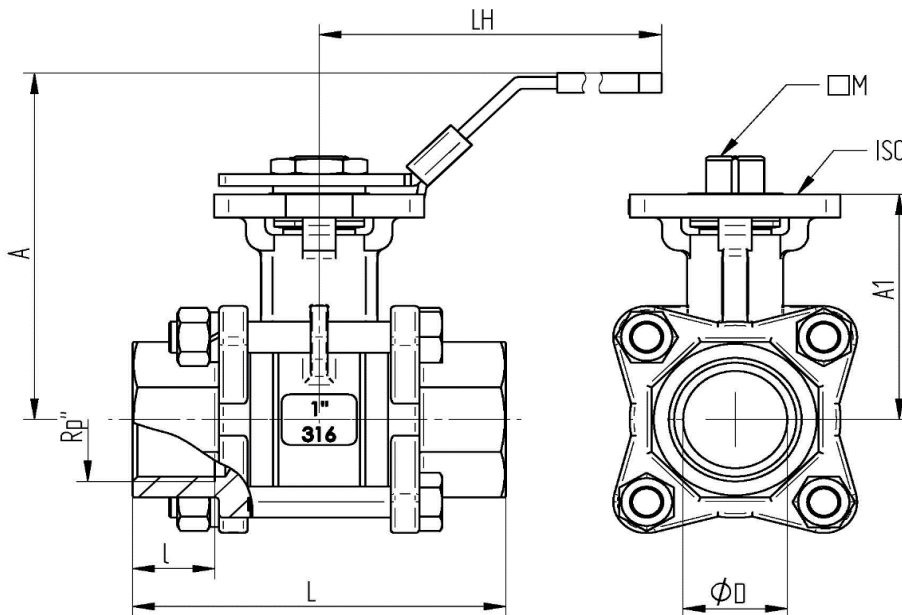
Stainless steel-manually operated

Technische Daten

Design:	3-piece model with full port
Connection:	Threaded ends acc.to DIN EN 10226-1
Body material:	Stainless steel 1.4408
Body cap material:	Stainless steel 1.4408
Ball material:	Stainless steel 1.4401
Ball seat:	R-PTFE (15%)
Stem material:	Stainless steel 1.4401
Stem packing:	PTFE FKM O-Ring
ISO Flange:	Acc.to DIN EN ISO 5211
Handle:	Stainless steel 1.4301 PVC-blue plastic sleeve, lockable
Safety:	Blow-out proofed, antistatic
Medium temperature:	-25°C up to max. +180°C, pressure dependent
Pressure rating:	Max. PN 63bar, temperature dependent
Approval:	ATEX II 2G Ex h IIB T2 Gb ATEX II 2D Ex h IIIB T280° Db ATEX II 2D Ex h IIIB T280° Db



FEJFE acc.to DIN EN 10226-1



Article No.	Rp"	DN	øD mm	L mm	I mm	A mm	A1 mm	LH mm	M mm	ø ISO	Nm	PN bar	Weight (Kg)
9336-02	1/4"	08	11	50	10	59	31	115	9	F03	4	63	0,46
9336-03	3/8"	10	12,5	60	11	59	31	115	9	F03	4	63	0,48
9336-04	1/2"	15	15	75	15,5	70	42	117	9	F03 F04	5	63	0,52
9336-05	3/4"	20	20	80	16	78	50	134	11	F04 F05	8	63	0,89
9336-06	1"	25	25	90	19	87	58	134	11	F04 F05	10	63	1,28
9336-07	1 1/4"	32	32	110	21	98	64	203	14	F05 F07	14	63	1,99
9336-08	1 1/2"	40	40	120	21	104	70	203	14	F05 F07	18	63	2,96
9336-09	2"	50	50	140	25	112	78	203	14	F05 F07	25	63	3,75
9336-10	2 1/2"	65	65	185	30	140	100	255	17	F07 F10	48	63	7,80
9336-11	3"	80	80	205	33	153	113	255	17	F07 F10	75	63	12,4
9336-12	4"	100	100	240	39	166	126	302	17	F07 F10	110	63	20,8

Flow value

9336	Gr.	02	03	04	05	06	07	08	09	10	11	12
KV value [cbm/h]		6	10	24	43	83	130	205	340	520	1.100	1.820