

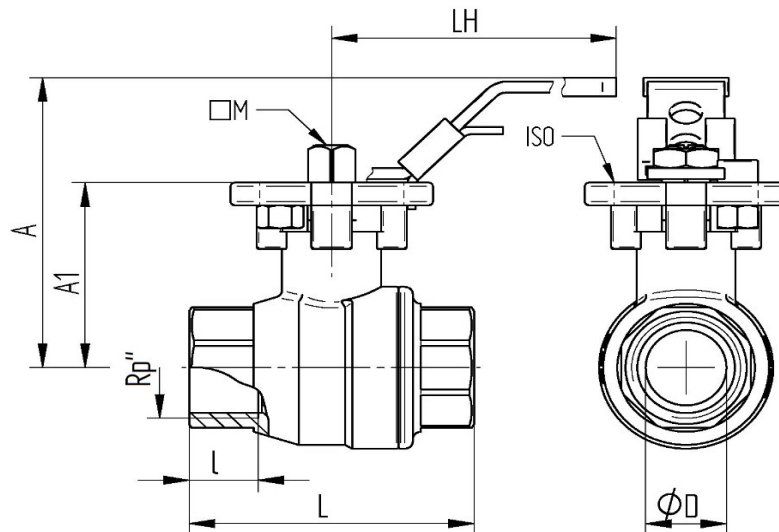
## Stainless steel-manually operated

### Technical data

Design:	2-piece model with full port
Connection:	Threaded ends acc.to DIN EN 10226-1
Body material:	Stainless steel 1.4408
Body cap material:	Stainless steel 1.4408
Ball material:	Stainless steel 1.4401
Ball seat:	R-PTFE (15%)
Stem material:	Stainless steel 1.4401
Stem packing:	PTFE   FKM O-Ring
ISO Flange:	Acc.to DIN EN ISO 5211
Handle:	Stainless steel 1.4301 PVC-blue plastic sleeve, lockable
Safety:	Blow-out proofed, antistatic
Medium temperature:	-25°C up to max. +180°C, pressure dependent
Pressure rating:	Max. PN 63bar, temperature dependent
Approval:	ATEX II 2G Ex h IIB T2 Gb ATEX II 2D Ex h IIB T280° Db



### FE|FE acc.to DIN EN 10226-1



Artikel No.	Rp"	DN	øD mm	L mm	l mm	A mm	A1 mm	LH mm	M mm	øISO	Nm	PN bar	weight (Kg)
9652-02	1/4"	08	11,5	56	11	65	37	115	9	F03	5	63	0,37
9652-03	3/8"	10	12,5	56	12	65	37	115	9	F03	5	63	0,35
9652-04	1/2"	15	15	57	14	65	37	117	9	F03 F04	5	63	0,37
9652-05	3/4"	20	20	64	14	70	42	117	9	F03 F04	8	63	0,49
9652-06	1"	25	25	77	17	75	46	134	11	F04 F05	10	63	0,74
9652-07	1 1/4"	32	32	90	18	85	54	134	11	F04 F05	14	63	1,18
9652-08	1 1/2"	40	40	105	20	95	60	203	14	F05 F07	18	63	1,94
9652-09	2"	50	50	125	24	105	68	203	14	F05 F07	25	63	2,90
9652-10	2 1/2"	65	65	153	27	140	93	255	17	F07 F10	48	63	5,77
9652-11	3"	80	76	172	31	145	109	255	17	F07 F10	75	63	8,45
9652-12	4"	100	94	221	38	175	121	302	17	F07 F10	110	63	15,6

### Flow value

9652	Gr.	02	03	04	05	06	07	08	09	10	11	12
KV value [cbm/h]		6	16	35	46	72	105	170	275	507	905	1.414

08/2024