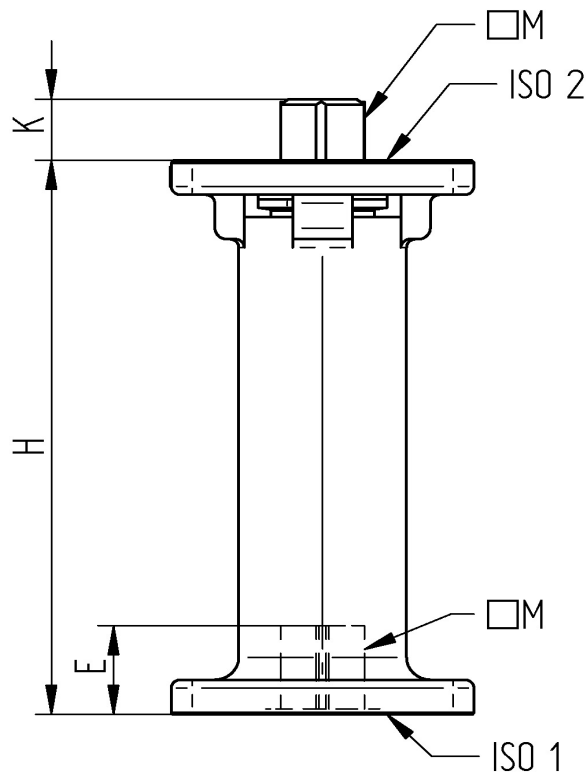


TECHNICAL DATA

Body: stainless steel 1.4301
 Stem: stainless steel 1.4301
 Stem packing: PTFE
 Nut, nut stopper: stainless steel 1.4301

Usable for ball valve:

920; 921; 930; 931; 932; 939
 9650; 9651; 9652
 9323; 9325; 9334; 9335; 9336; 9337; 9338; 9339; 9342; 9343



Art.No.	DN	H	M	E	K	ISO1	ISO2
98000920-1520	15 20	100	9	12	9	F04	F03 F04
98000920-2532	25 32	100	11	16	11	F05	F04 F05
98000920-4050	40 50	100	14	17	14	F07	F05 F07
98000920-6580100	65 80 100	100	17	21	17	F10	F07 F10
98000920-125150	125 150	100	22	25	22	F10 F12	F10 F12
98000920-200	200	100	27	30	27	F12 F14	F12 F14