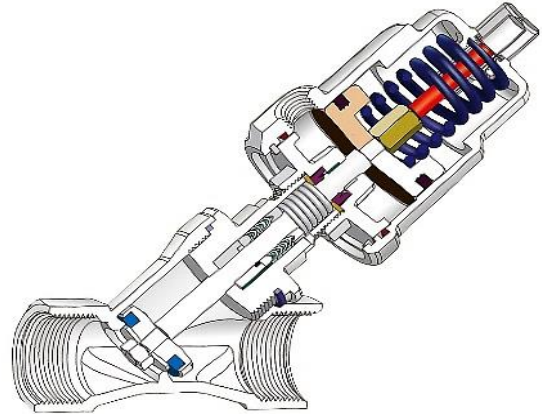


Stainless steel

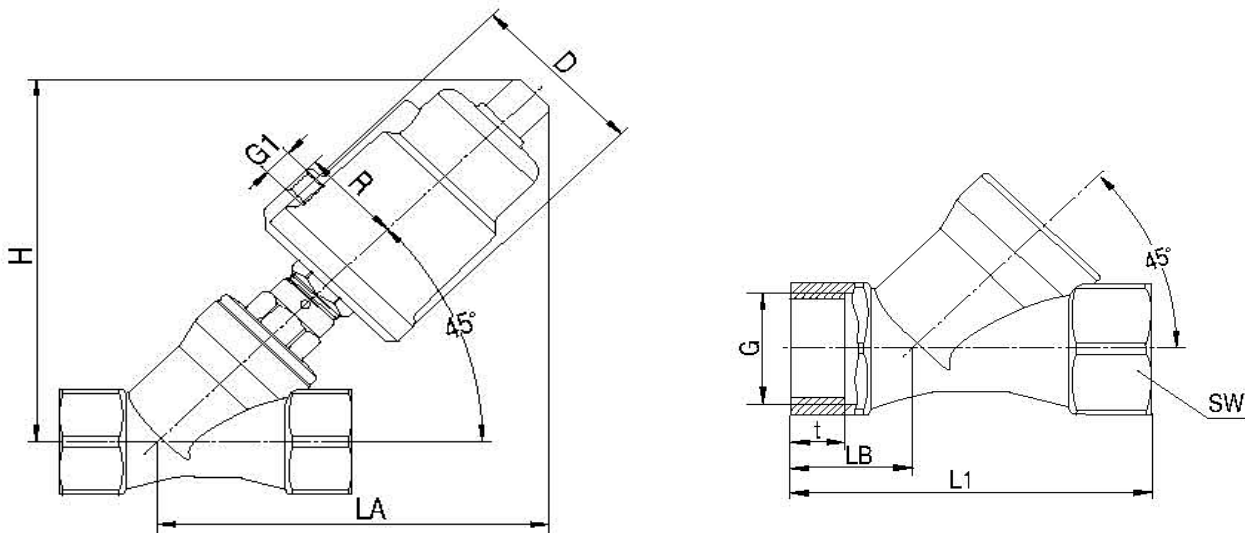
TECHNICAL DATA.

operating temperature:	- 10°C up to max. + 180°C
Ambient temperature:	- 10°C up to max.+ 60°C
Working prssure:	max. PN 16 bar
Connection thread:	according to DIN EN ISO 228-1
Control air connection:	G 1/8"
Body valve:	stainless steel 1.4408
Pilot piston:	stainless steel 1.4308
Stem:	stainless steel 1.4408
Seat seals:	PTFE / RTFE
Stem seals:	PTFE / FKM
Piston seals:	FKM / NBR
Properties actuator:	single acting, normally closed with spring
Actuator:	stainless steel 1.4308



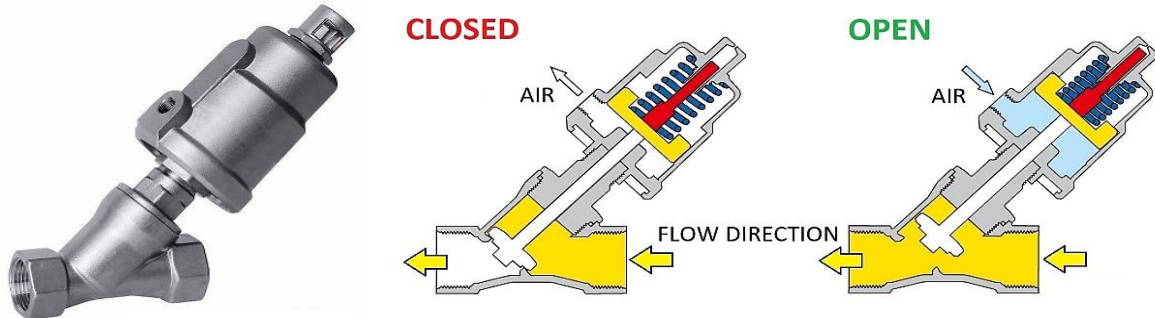
- 9690 Spring return normal close with flow direction
- 9693 Spring return normal close against flow direction
- 9696 Spring return normal open against flow direction

Connecting thread female/female

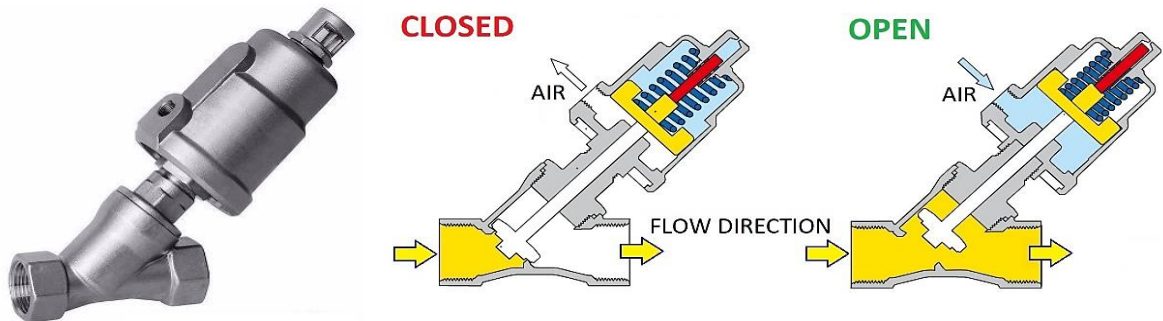


Item No.	G	DN	Actuator	H mm	LA mm	D mm	R mm	G1	L1 mm	LB mm	SW mm	t mm	PN	Weight	CVS Value
9690 9693 9696-04	1/2"	15	50	121	121	62	34	1/8"	74	25,5	25	11,5	16	1,12 kg	4,7 m3/h
9690 9693 9696-05	3/4"	20	50	125	125	62	34	1/8"	84	29	31	14	16	1,23 kg	9,5 m3/h
9690-06	1"	25	50	131	131	62	34	1/8"	100	33,5	39	15	16	1,46 kg	18,1 m3/h
9690 9696-07	1 1/4"	32	63	161	161	77	42	1/8"	112	36	50	18	16	2,75 kg	23,1 m3/h
9690 9696-08	1 1/2"	40	63	169	169	77	42	1/8"	126	41	56	18	16	3,00 kg	32,9 m3/h
9690 9696-09	2"	50	63	180	180	77	42	1/8"	146	46	68	22	16	3,80 kg	52,8 m3/h

ITEM 9690 SINGLE ACTING SPRING RETURN NORMAL CLOSE WITH FLOW DIRECTION



ITEM 9693 SINGLE ACTING SPRING RETURN NORMAL CLOSE AGAINST FLOW DIRECTION



ITEM 9696 SINGLE ACTING SPRING RETURN NORMAL OPEN AGAINST FLOW DIRECTION

