

Automation with pneumatic single acting actuator spring return

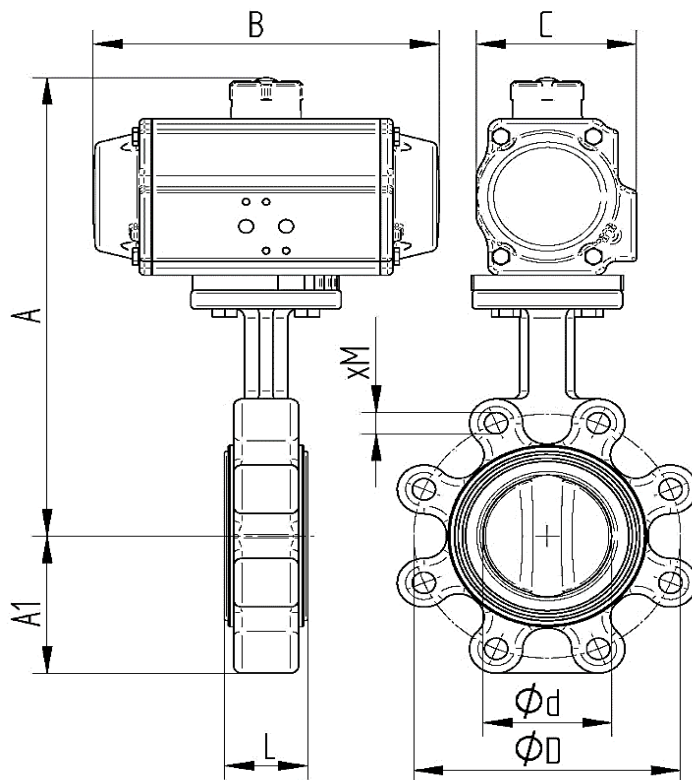
Technical data butterfly valve

Body: Spheroid ductile iron GGG40 blue RAL5002 coated
 Disc: Stainless steel 1.4408
 Seat: Resilient seated [see the table]
 Shaft: Stainless steel 1.4021
 Shaft sealing: PTFE+NBR O-Ring
 Overall length: Acc.to DIN EN 558-1
 Actuator connection: Acc.to DIN ISO 5211
 Flange connection: Acc.to UNI EN 1092, PN06 - PN10 - PN16
 Medium temperature Seat dependent [see the table]
 Pressure rating: Max. 16 bar temperature dependent

Article No.	Seat	Temperature
5200	EPDM-H	-10°C up to +110°C
5210	NBR	-10°C up to +90°C
5220	FKM	-10°C up to +150°C

Technical data pneumatic actuator

Type of actuator: FR single acting spring return
 Design characteristic: Rack and pinion system
 Piston guidance: Self-centering inside of the housing
 Temperature range: - 20° C up to + 80 ° C
 Rotation|Stroke: 90° from + 5° up to - 5° adjustable
 Torque max.: See table [DW] in Nm at 6 bar pilot air
 Pilot medium: Filtered and lubricated air [Pneurop/ISO class 4]
 Number of springs: 12 pieces (6 per side)
 Position indicator: visual display
 Actuator connection: Acc.to DIN EN 5211
 Control valve: Acc. to Namur or VDI/VDE 3845
 Signalling devices: Acc. to Namur or VDI/VDE 3845
 End caps seals: NBR
 End caps: Die cast aluminum RAL 5002 blue coated
 Body: Extruded aluminum alloy



Article No. Size	DN	ød mm	L mm	A mm	A1 mm	øD mm	xM	B mm	C mm
FR025200/5210/5220-08	40	40	33	258	70	110	4x M16	162	84
FR025200/5210/5220-09	50	50	43	266	61	125	4x M16	162	84
FR035200/5210/5220-10	65	63	46	291	72	145	4x M16	208	96
FR045200/5210/5220-11	80	77	46	317	87	160	8x M16	246	108
FR055200/5210/5220-12	100	100	52	344	106	180	8x M16	266	123
FR065200/5210/5220-13	125	125	56	401	123	210	8x M16	347	151
FR065200/5210/5220-14	150	147	56	412	137	240	8x M20	347	151
FR075200/5210/5220-15	200	198	60	495	174	295	12x M20	475	202
FR075200/5210/5220-16	250	244	68	525	209	350	12x M24	475	202
FR085200/5210/5220-17	300	298	78	610	253	400	12x M24	570	232