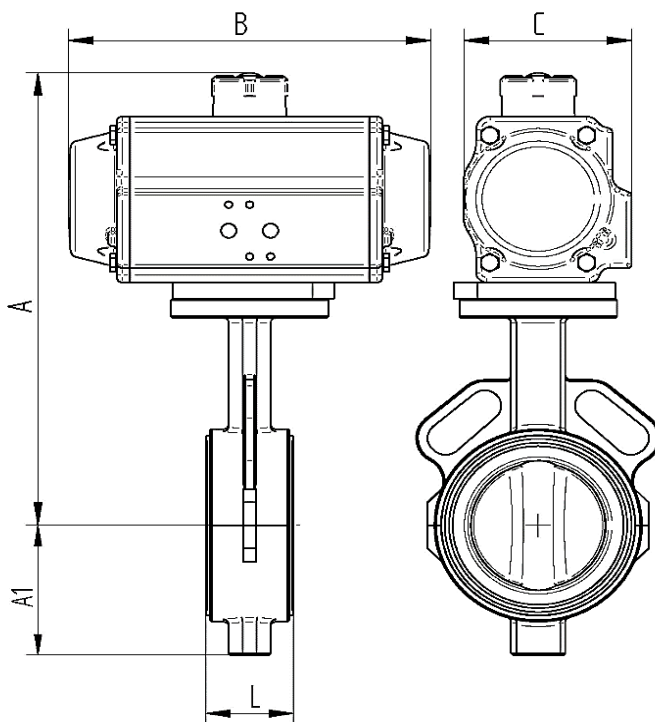


**Automation with pneumatic single acting actuator spring return****Technische Daten Absperrklappe**

Body:	Spheroid ductile iron GGG40 blue RAL5002 coated
Design:	Split body
Disc:	Stainless steel 1.4038
Seat:	PTFE+FKM
Shaft:	Stainless steel 1.4034
Shaft sealing:	PTFE+FKM O-Ring
Overall length:	Acc.to DIN EN 558-1
Actuator connection:	Acc.to DIN ISO 5211
Flange connection:	Acc.to UNI EN 1092, PN06 - PN10 - PN16
Medium temperature:	-10°C up to +150°C pressure dependent
Pressure rating:	Max. 16 bar temperature dependent

Technical data pneumatic actuator

Type of actuator:	FR single acting spring return
Design characteristic:	Rack and pinion system
Piston guidance:	Self-centering inside of the housing
Temperature range:	- 20° C up to + 80 ° C
Rotation Stroke:	90° from + 5° up to - 5° adjustable
Torque max.:	See table [DW] in Nm at 6 bar pilot air
Pilot medium:	Filtered and lubricated air [Pneurop/ISO class 4]
Number of springs:	12 pieces (6 per side)
Position indicator:	visual display
Actuator connection:	Acc.to DIN EN 5211
Control valve:	Acc. to Namur or VDI/VDE 3845
Signalling devices:	Acc. to Namur or VDI/VDE 3845
End caps seals:	NBR
End caps:	Die cast aluminum RAL 5002 blue coated
Body:	Extruded aluminum alloy



Article No. Size	DN	L mm	A mm	A1 mm	B mm	C mm
FR035400-08	40	43	277	65	208	96
FR035400-09	50	43	277	65	208	96
FR035400-10	65	46	281	72	208	96
FR055400-11	80	46	306	80	266	123
FR055400-12	100	52	324	114	266	123
FR065400-13	125	56	376	125	347	151
FR065400-14	150	56	396	138	347	151