



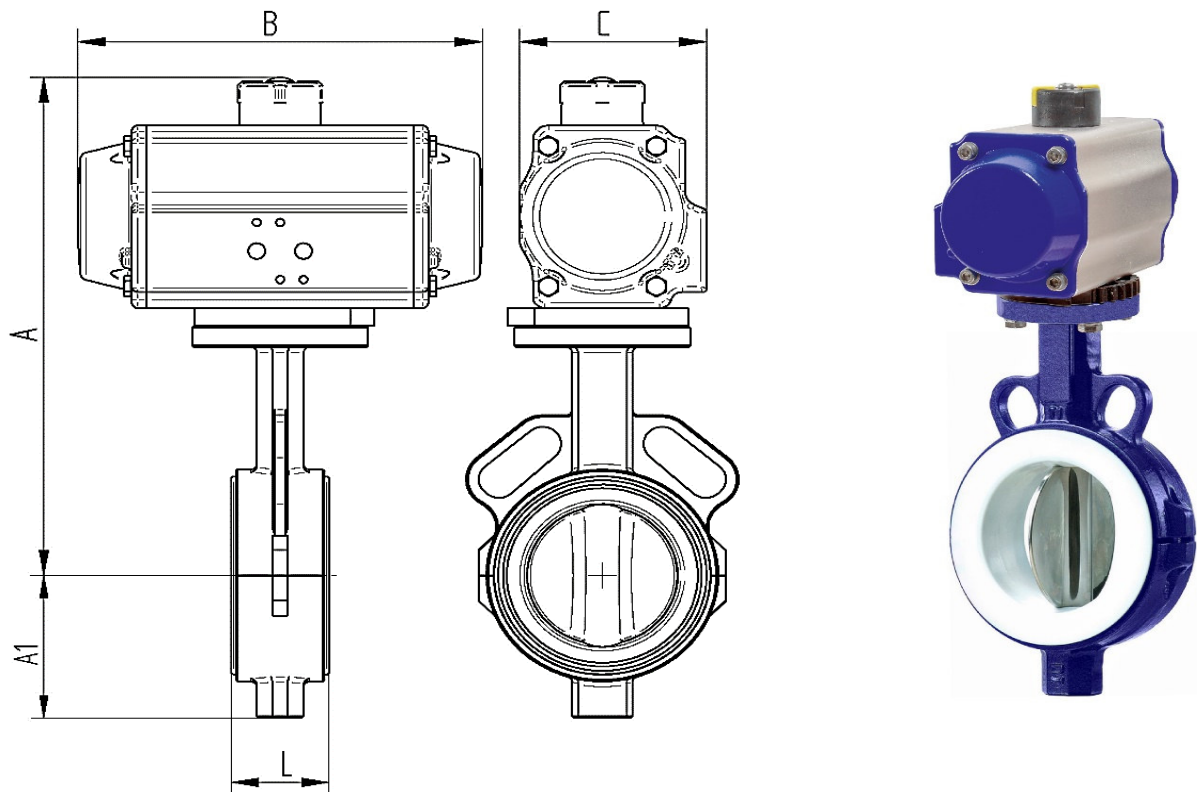
Automation with pneumatic double acting actuator

Technical data butterfly valve

Body:	Spheroid ductile iron GGG40 blue RAL5002 coated
Design:	Split body
Disc:	Stainless steel 1.4408
Seat:	PTFE+FKM
Shaft:	Stainless steel 1.4034
Shaft sealing:	PTFE+FKM O-Ring
Overall length:	Acc.to DIN EN 558-1
Actuator connection:	Acc.to DIN ISO 5211
Flange connection:	Acc.to UNI EN 1092, PN06 - PN10 - PN16
Medium temperature:	-10°C bis +150°C pressure dependent
Pressure rating:	Max. 16 bar temperature dependent

Technical data pneumatic actuator

Type of actuator:	DW double acting
Design characteristic:	Rack and pinion system
Piston guidance:	Self-centering inside of the housing
Temperature range:	- 20° C up to + 80 ° C
Rotation Stroke:	90° from + 5° up to - 5° adjustable
Torque max.:	See table [DW] in Nm at 6 bar pilot air
Pilot medium:	Filtered and lubricated air [Pneurop/ISO class 4]
Position indicator:	visual display
Actuator connection:	Acc.to DIN EN 5211
Control valve:	Acc. to Namur or VDI/VDE 3845
Signalling devices:	Acc. to Namur or VDI/VDE 3845
End caps seals:	NBR
End caps:	Die cast aluminum RAL 5002 blue coated
Body:	Extruded aluminum alloy



Article No. Size	øDN mm	L mm	A mm	B mm	C mm	A1 mm	DW Nm
DW045400-08	40	43	277	208	96	65	70
DW045400-09	50	43	277	208	96	65	70
DW045400-10	65	46	281	208	96	72	70
DW045400-11	80	46	281	208	96	80	70
DW055400-12	100	52	312	246	108	114	110
DW055400-13	125	56	324	246	108	125	110
DW065400-14	150	56	356	266	123	138	160