

## Automation with pneumatic single acting actuator spring return

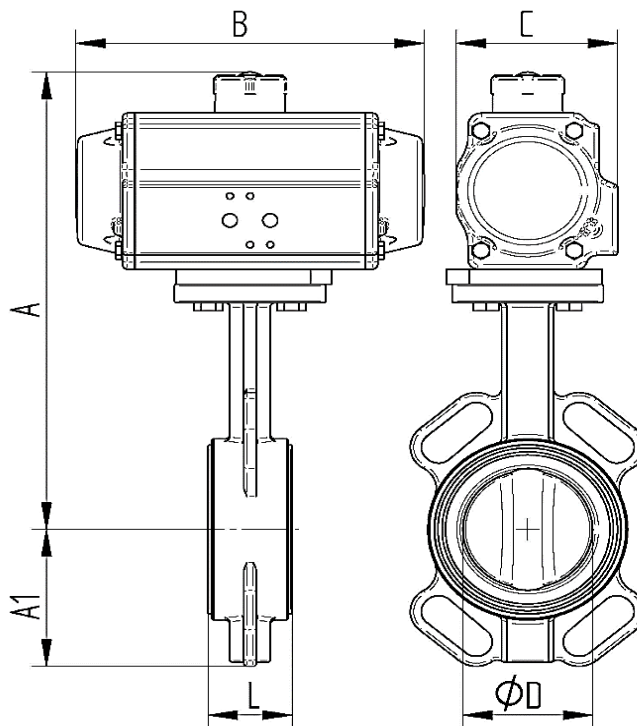
### Technical data butterfly valve

|                      |  |
|----------------------|--|
| Body:                | Spheroid ductile iron GGG40 blue RAL5002 |
| Disc:                | Stainless steel 1.4408                   |
| Seat:                | Resilient seated [see the table]         |
| Shaft:               | Stainless steel 1.4021                   |
| Shaft sealing:       | PTFE+NBR O-Ring                          |
| Overall length:      | Acc.to DIN EN 558-1                      |
| Actuator connection: | Acc.to DIN ISO 5211                      |
| Flange connection:   | Acc.to UNI EN 1092, PN06 - PN10 - PN16   |
| Medium temperature:  | Seat dependent [see the table]           |
| Pressure rating:     | Max. 16 bar temperature dependent        |

| Article No. | Seat   | Temperature        |
|-------------|--------|--------------------|
| 5100        | EPDM-H | -10°C up to +110°C |
| 5110        | NBR    | -10°C up to +90°C  |
| 5120        | FKM    | -10°C up to +150°C |

### Technical data pneumatic actuator

|                        |   |
|------------------------|---|
| Type of actuator:      | FR single acting spring return                    |
| Design characteristic: | Rack and pinion system                            |
| Piston guidance:       | Self-centering inside of the housing              |
| Temperature range:     | - 20° C up to + 80 ° C                            |
| Rotation Stroke:       | 90° from + 5° up to - 5° adjustable               |
| Torque max.:           | See table [DW ] in Nm at 6 bar pilot air          |
| Pilot medium:          | Filtered and lubricated air [Pneurop/ISO class 4] |
| Number of springs:     | 12 pieces (6 per side)                            |
| Position indicator:    | visual display                                    |
| Actuator connection:   | Acc.to DIN EN 5211                                |
| Control valve:         | Acc. to Namur or VDI/VDE 3845                     |
| Signalling devices:    | Acc. to Namur or VDI/VDE 3845                     |
| End caps seals:        | NBR   |
| End caps:              | Die cast aluminum RAL 5002 blue coated            |
| Body:                  | Extruded aluminum alloy                           |



| Article No.   Size    | DN  | øD mm | A mm | A1 mm | L mm | B mm | C mm |
|-----------------------|-----|-------|------|-------|------|------|------|
| FR025100/5110/5120-08 | 40  | 40    | 258  | 70    | 33   | 162  | 84   |
| FR025100/5110/5120-09 | 50  | 50    | 266  | 61    | 43   | 162  | 84   |
| FR035100/5110/5120-10 | 65  | 63    | 290  | 72    | 46   | 208  | 96   |
| FR045100/5110/5120-11 | 80  | 77    | 317  | 87    | 46   | 246  | 108  |
| FR055100/5110/5120-12 | 100 | 100   | 344  | 106   | 52   | 266  | 123  |
| FR065100/5110/5120-13 | 125 | 125   | 401  | 123   | 56   | 347  | 151  |
| FR065100/5110/5120-14 | 150 | 147   | 412  | 137   | 56   | 347  | 151  |
| FR075100/5110/5120-15 | 200 | 198   | 292  | 174   | 60   | 475  | 202  |
| FR075100/5110/5120-16 | 250 | 244   | 525  | 209   | 68   | 475  | 202  |
| FR085100/5110/5120-17 | 300 | 298   | 610  | 253   | 78   | 570  | 232  |