

Automation with pneumatic double acting actuator

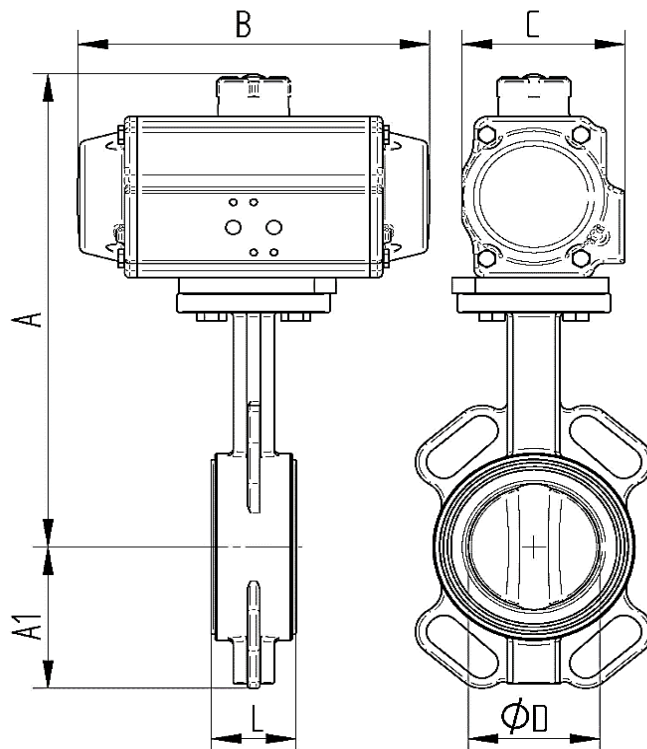
Technical data butterfly valve

Body:	Spheroid ductile iron GGG40 blue RAL5002 coated
Disc:	Stainless steel 1.4408
Seat:	Resilient seated [see the table]
Shaft:	Stainless steel 1.4021
Shaft sealing:	PTFE+NBR O-Ring
Overall length:	Acc.to DIN EN 558-1
Actuator connection:	Acc.to DIN ISO 5211
Flange connection:	Acc.to UNI EN 1092, PN06 - PN10 - PN16
Medium temperature:	Seat dependent [see the table]
Pressure rating:	Max. 16 bar temperature dependent

Article No.	Seat	Temperature
5100	EPDM-H	-10°C up to +110°C
5110	NBR	-10°C up to +90°C
5120	FKM	-10°C up to +150°C

Technical data pneumatic actuator

Type of actuator:	DW double acting
Design characteristic:	Rack and pinion system
Piston guidance:	Self-centering inside of the housing
Temperature range:	- 20° C up to + 80 ° C
Rotation Stroke:	90° from + 5° up to - 5° adjustable
Torque max.:	See table [DW] in Nm at 6 bar pilot air
Pilot medium:	Filtered and lubricated air [Pneurop/ISO class 4]
Position indicator:	visual display
Actuator connection:	Acc.to DIN EN 5211
Control valve:	Acc. to Namur or VDI/VDE 3845
Signalling devices:	Acc. to Namur or VDI/VDE 3845
End caps seals:	NBR
End caps:	Die cast aluminum RAL 5002 blue coated
Body:	Extruded aluminum alloy



Article No. Size	øDN mm	øD mm	L mm	A mm	A1 mm	B mm	C mm	DW Nm
DW035100/5110/5120-08	40	40	33	258	70	162	84	36
DW035100/5110/5120-09	50	50	43	266	61	162	84	36
DW035100/5110/5120-10	65	63	46	278	72	162	84	36
DW045100/5110/5120-11	80	77	46	304	87	208	96	70
DW045100/5110/5120-12	100	100	52	319	106	208	96	70
DW055100/5110/5120-13	125	125	56	349	123	246	108	110
DW055100/5110/5120-14	150	147	56	360	137	246	108	110
DW075100/5110/5120-15	200	198	60	455	174	347	151	333
DW075100/5110/5120-16	250	244	68	488	209	347	151	333
DW085100/5110/5120-17	300	298	78	569	253	475	202	682