

Stainless steel

TECHNICAL DATA BALL VALVE

temperature range :	-30°C up to max. +100°C, pressure dependent
pressure range :	max. PN 500 bar
connecting thread :	acc. to DIN EN ISO 5211
actuator connection :	nach DIN ISO 228/1
body material :	stainless steel, 1.4404
ball :	stainless steel, 1.4404
ball seals :	POM
stem:	stainless steel, 1.4404
stem seals :	POM, NBR

TECHNICAL DATA ACTUATOR

Funktionalität :	FR single acting, spring return
Design feature :	control shaft-bevel principle
Piston channel :	self centering in body
Operating temperature :	- 20° C up to + 80 ° C
Angle of rotation :	90 ° from + 5° up to - 5° adjustable
Torque max. :	on request
Control medium :	filtered and oiled blast according Pneurop/ISO categorie 4

Mounting path :

Actuator/Armatur : 4 or 8 female thread in the body according to DIN ISO 5211

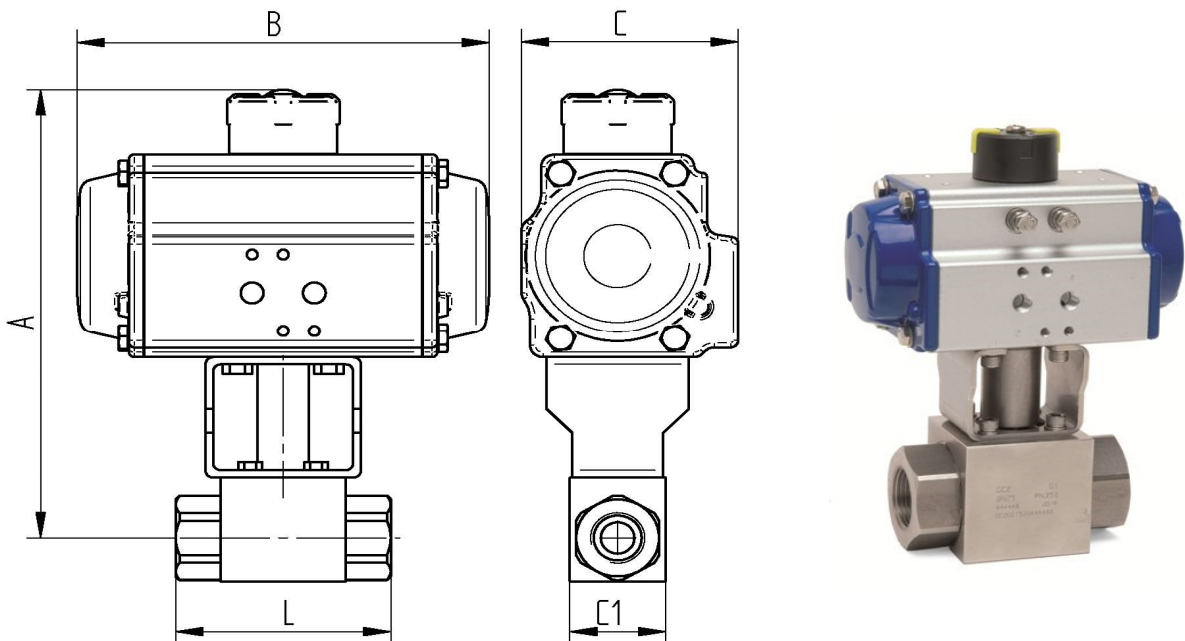
Actuator/Control valve : according to Namur respectively VDI/VDE 3845

Actuator/Signaling device : according to VDI/VDE 3845 (Namur)

Accessories actuator

Position announcement : optically, in the scope of supply mounts

Connecting thread female/female



Art. Nr.	G"	DN	L mm	C1 mm	A mm	B mm	C mm
FR039769-02	1/4"	6	71	30	202	208	96
FR039769-03	3/8"	10	73	35	204	208	96
FR049769-04	1/2"	13	83	37	217	246	108
FR059769-05	3/4"	20	95	49	238	266	123
FR069769-06	1"	25	112	55	282	347	151
FR079769-07	1 1/4"	32	115	85	330	475	202
FR079769-08	1 1/2"	40	131	105	337	475	202
FR089769-09	2"	50	140	117	381	570	232