

Stainless steel

TECHNICAL DATA BALL VALVE

Body:	Stainless steel 1.4404
Body caps:	Stainless steel 1.4404
Connection:	Threaded ends acc. to DIN EN ISO 228-1
Ball:	Stainless steel 1.4404
Ball seat:	POM
Stem:	Stainless steel 1.4404
Stem packing:	NBR POM
Medium temperature:	-30°C up to +100°C pressure dependent
Pressure rating:	Max. 500 bar temperature dependent

- Approval:**
- ATEX acc.to 2014/34/EU
 - EAC acc.to TR CU 010/2011

TECHNICAL DATA ACTUATOR

Funktionalität :	DW double acting
Design feature :	control shaft-bevel principle
Piston channel :	self centering in body
Operating temperature :	-20° C up to +80° C
Angle of rotation :	90 ° from + 5° up to - 5° adjustable
Torque max. :	see chart (Nm) at 5,6 bars compressed air
Control medium :	filtered and oiled blast according Pneurop/ISO categorie 4

Mounting path :

Actuator/Armatur : 4 or 8 female thread in the body according to DIN ISO 5211

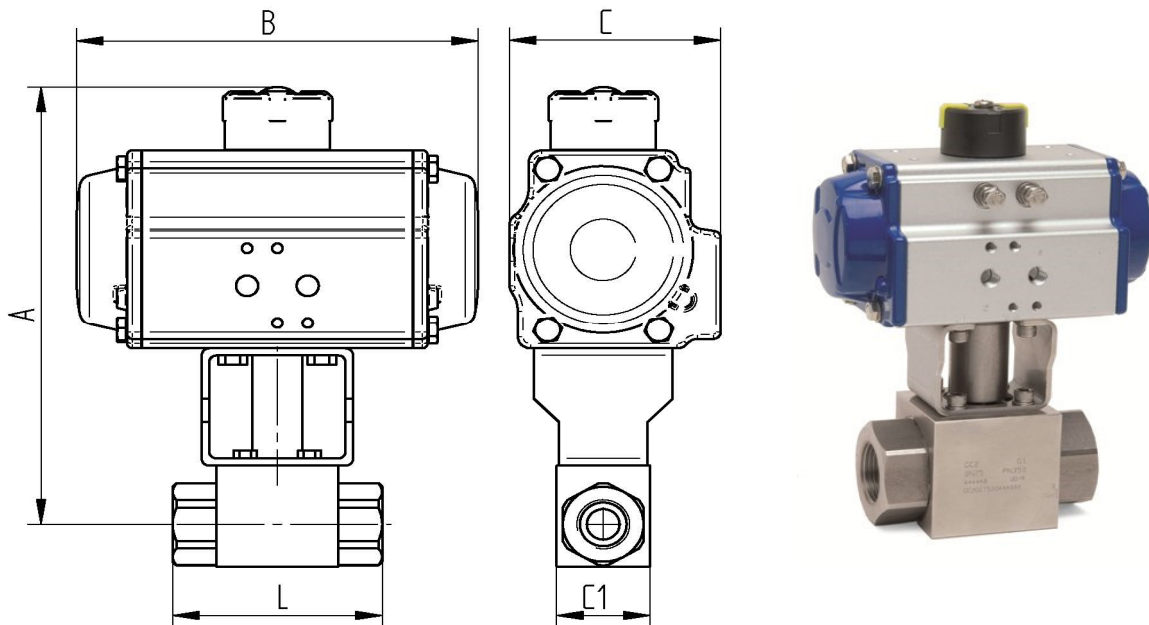
Actuator/Control valve : according to Namur respectively VDI/VDE 3845

Actuator/Signaling device : according to VDI/VDE 3845 (Namur)

Accessories actuator

Position announcement : optically, in the scope of supply mounts

Connecting thread female/female



Art. Nr.	G"	DN	L mm	C1 mm	A mm	B mm	C mm	Nm
DW039769-02	1/4"	6	71	30	183	162	84	36
DW039769-03	3/8"	10	73	35	187	162	84	36
DW039769-04	1/2"	13	83	37	187	162	84	36
DW049769-05	3/4"	20	95	49	213	208	96	70
DW059769-06	1"	25	112	55	230	246	108	110
DW059769-07	1 1/4"	32	115	85	241	246	108	110
DW069769-08	1 1/2"	40	131	105	260	266	123	160
DW079769-09	2"	50	140	117	309	347	151	333