

Stainless steel

TECHNICAL DATA BALL VALVE

Body material :	stainless steel 1.4401
Screw-in-sleeve:	stainless steel 1.4401
Connection thread :	according to DIN EN 10226-1
Ball :	Stainless steel 1.4401
Ball seals :	RPTFE
Spindle :	stainless steel 1.4401, Blow-out proof
Spindle seals :	PTFE / FKM
Actuator connection :	according to DIN EN ISO 5211
Operating temperature :	- 20°C to max. + 150°C, pressure dependent
Working pressure :	max. PN 140 bar temperature dependent Compressed air max. 20 bar

Approval : EAC nach TR CU 010/2011
Optional: ATEX nach 2014/34/EU

TECHNICAL DATA ACTUATOR

Funktionalität :	DW double acting
Design feature :	control shaft-bevel principle
Piston channel :	self centering in body
Operating temperature :	-20° C up to +80° C
Angle of rotation :	90° from + 5° up to - 5° adjustable
Torque max. :	see chart (Nm) at 6 bars compressed air
Control medium :	filtered and oiled blast according Pneurop/ISO categorie 4

Mounting path :

Actuator/Armatur : 4 or 8 female thread in the body
according to DIN ISO 5211

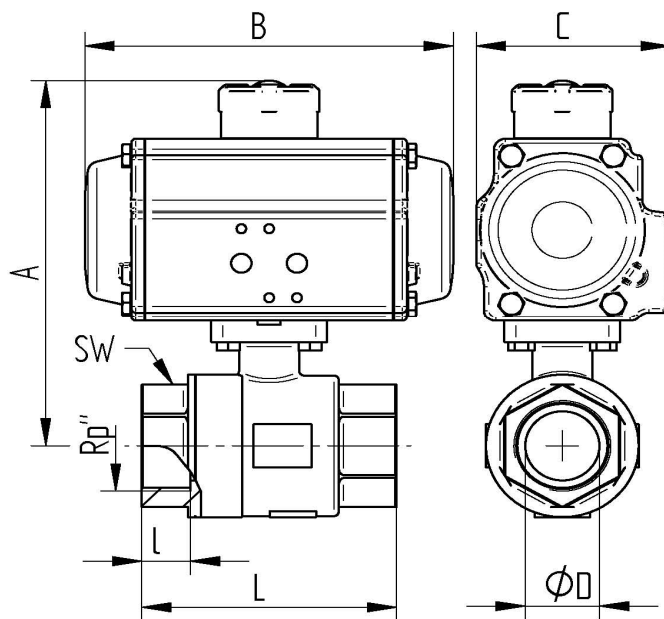
Actuator/Control valve : according to Namur respectively
VDI/VDE 3845

Actuator/Signaling device : according to VDI/VDE 3845 (Namur)

Accessories actuator

Position announcement : optically, in the scope of supply mounts

Connecting thread female/female



Art. Nr.	Rp"	DN	øD mm	L mm	l mm	SW mm	A mm	B mm	C mm	DW Nm
DW029768-02	1/4"	10	11	65	13	27	140	142	72	20
DW029768-03	3/8"	12	13	75	11	27	140	142	72	20
DW029768-04	1/2"	15	16	75	16	27	140	142	72	20
DW029768-05	3/4"	20	20	80	18	33	144	142	72	20
DW029768-06	1"	25	25	90	18	41	152	142	72	20
DW039768-07	1 1/4"	32	32	110	21	50	171	162	84	36
DW039768-08	1 1/2"	40	40	120	22	58	181	162	84	36
DW059768-09	2"	50	50	140	25	70	221	246	108	110
DW069768-10	2 1/2"	65	65	185	38	87	255	266	123	160
DW069768-11	3"	80	80	205	38	104	267	266	123	160