

Brass

TECHNICAL DATA BALL VALVE:

Construction: 2-way ball valve, reduced passage
 Construction: 2-part design
 Connection end: female thread according to DIN EN 10226-1
 Body: CW617N nickel plated
 Screw-in socket: CW617N nickel plated
 Ball: CW617N, bright chrome plated
 Spindle: high strength DELRIN
 Ball seal: CW617N
 Stem seal: PTFE / FKM
 Operating temperature: -10°C to +80°C, pressure dependent
 Operating pressure: max. PN 210 bar
 compressed air max. 20 bar

Approval: EAC acc.to TR CU 010/2011

TECHNICAL DATA ACTUATOR

Funktionalität: FR single acting, spring return
 Design feature: control shaft-bevel principle
 Piston channel: self centering in body
 Operating temperature: -20° C up to +80° C
 Angle of rotation: 90° from + 5° up to - 5° adjustable
 Torque max.: on request
 Control medium: filtered and oiled blast according Pneuop/ISO categorie 4

Mounting path:

Actuator/Armatur: 4 or 8 female thread in the body according to DIN ISO 5211

Actuator/Control valve: according to Namur respectively VDI/VDE 3845

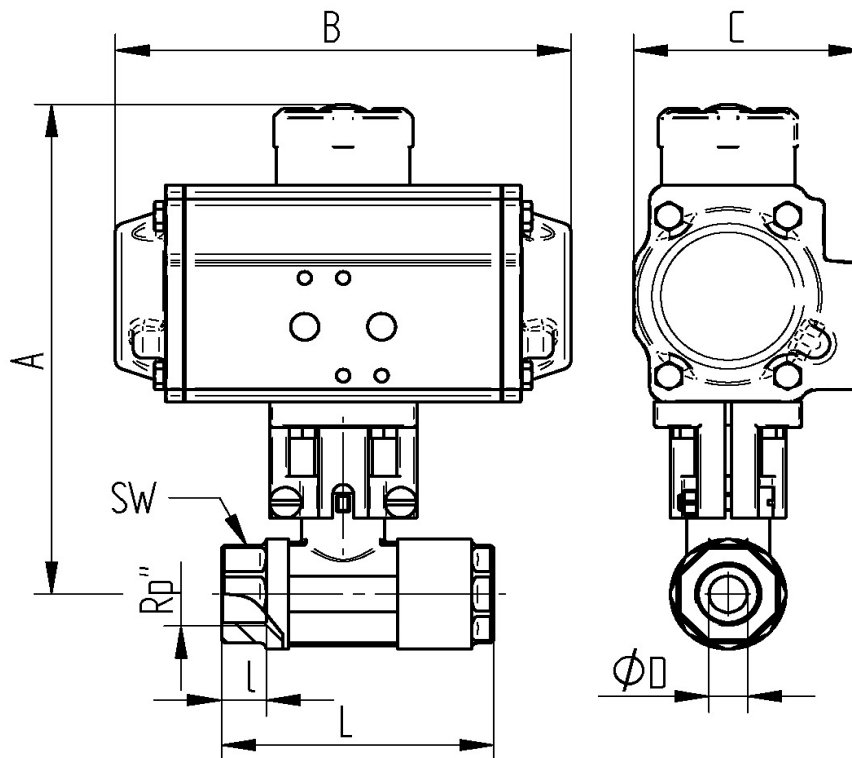
Actuator/Signaling device:

according to VDI/VDE 3845 (Namur)

Accessories actuator

Position announcement: optically, in the scope of supply mounts

Connecting thread female/female



Art. Nr.	Rp"	DN	øD mm	L mm	l mm	SW mm	A mm	B mm	C mm
FR010814-03	3/8"	10	8	75	12	26	134	142	72
FR020814-04	1/2"	15	12	85	14	32	148	162	84
FR020814-05	3/4"	20	16	95	16	39	161	162	84
FR030814-06	1"	25	20	105	19	48	193	208	96