

### Brass

#### TECHNICAL DATA BALL VALVE:

Construction:	2-way ball valve, reduced passage
Construction:	2-part design
Connection end:	female thread according to DIN EN 10226-1
Body:	CW617N nickel plated
Screw-in socket:	CW617N nickel plated
Ball:	CW617N, bright chrome plated
Spindle:	high strength DELRIN
Ball seal:	CW617N
Stem seal:	PTFE / FKM
Operating temperature :	-10°C to +80°C, pressure dependent
Operating pressure :	max. PN 210 bar compressed air max. 20 bar

#### TECHNICAL DATA ACTUATOR

Funktionalität :	DW double acting
Design feature :	control shaft-bevel principle
Piston channel :	self centering in body
Operating temperature :	-20° C up to +80° C
Angle of rotation :	90 ° from + 5° up to - 5° adjustable
Torque max. :	see chart (Nm) at 5,6 bars compressed air
Control medium :	filtered and oiled blast according Pneurop/ISO categorie 4

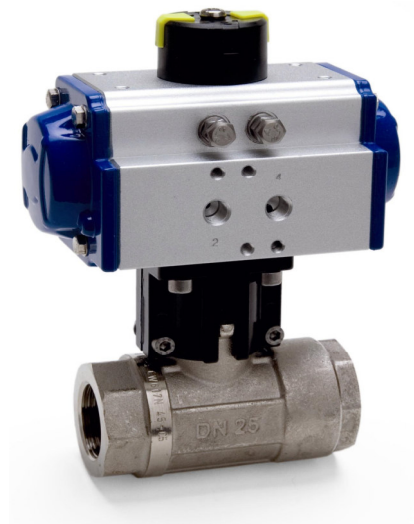
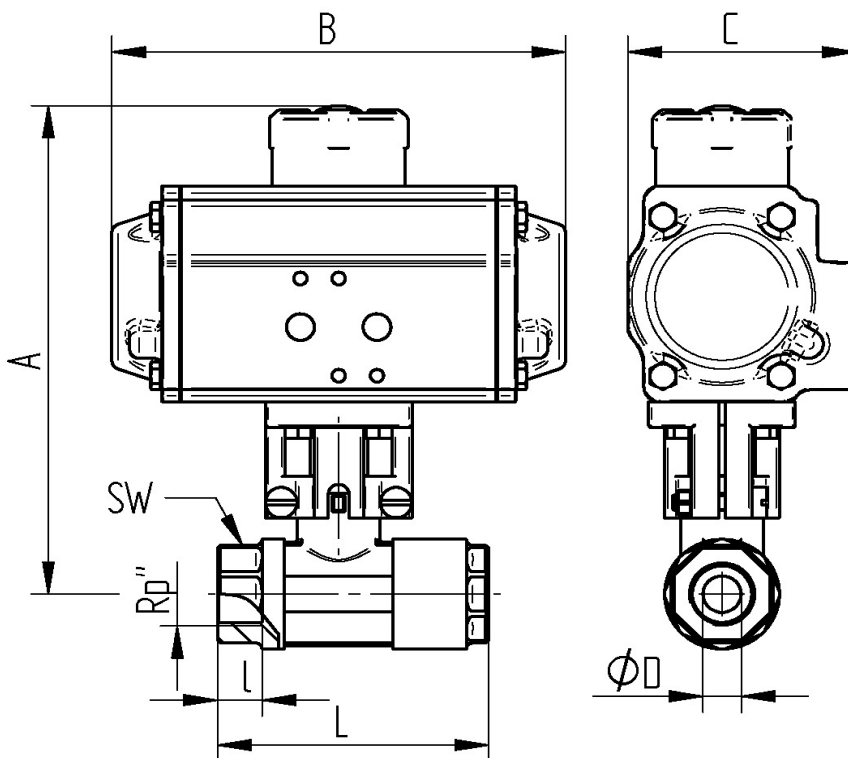
#### Mountig path :

Actuator/Armatur :	4 or 8 female thread in the body according to DIN ISO 5211
Actuator/Control valve :	according to Namur respectively VDI/VDE 3845
Actuator/Signaling device :	according to VDI/VDE 3845 (Namur)

#### Accessories actuator

Position announcement : optically, in the scope of supply mounts

### Flangeconnection



Art. Nr.	Rp"	DN	øD mm	A mm	B mm	C mm	L mm	l mm	SW mm	Nm
DW020814-03	3/8"	10	8	158	142	72	75	12	26	20
DW020814-04	1/2"	15	12	156	142	72	85	14	32	20
DW020814-05	3/4"	20	16	173	142	72	95	16	39	20
DW020814-06	1"	25	20	180	142	72	105	19	48	20