

Stainless steel

TECHNICAL DATA BALL VALVE

9334: T-Port

9335: L-Port

| | |
|--------------------------|--|
| Construction: | 3-way ball valve, full bore |
| Design: | 4-piece design |
| Connection end: | Internal thread according to DIN EN ISO 228-1 |
| Drive connection: | According to DIN EN ISO 5211 [direct assembly] |
| Medium temperature: | -20°C to max. +180°C, pressure dependent |
| Medium nominal pressure: | PN 63 bar temperature dependent |
| Body: | Stainless steel 1.4408 |
| Screw-in socket : | Stainless steel 1.4408 |
| Ball: | Stainless steel 1.4401 Sealing on all sides |
| Stem: | stainless steel 1.4401 blow-out proof, antistatic |
| Ball seal: | PTFE TFM1600 |
| Spindle seal: | PTFE FKM O-ring |

Approval :

| | |
|--------------------------|------------------------------|
| <input type="checkbox"/> | ATEX according to 2014/34/EU |
| <input type="checkbox"/> | Antistatic |
| <input type="checkbox"/> | SIL according IEC61508 61518 |

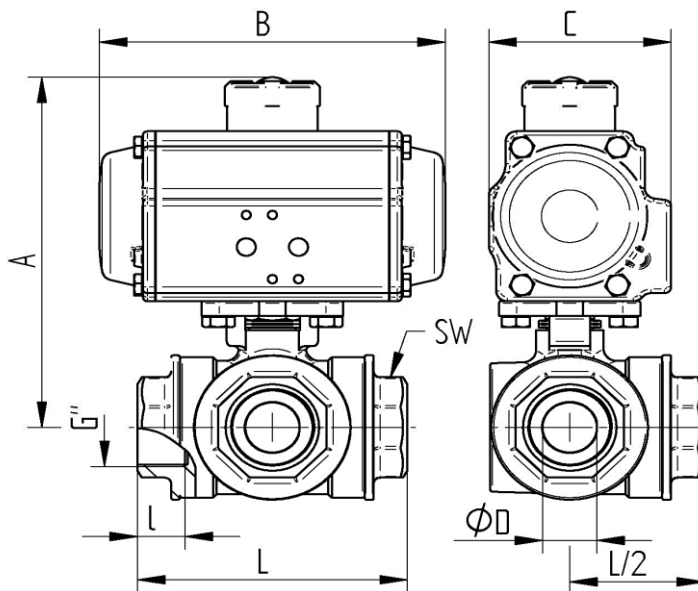
TECHNICAL DATA ACTUATOR

FR single acting

| | |
|----------------------------|---|
| Design Feature: | Rack and pinion principle |
| Piston guide: | Self centering in housing |
| Housing: | Aluminum alloy anodized |
| Cover end caps: | Aluminum alloy, RAL 5002 blue painted |
| Seals: | NBR |
| Pinion: | Steel chemically hard nickel plated |
| Piston Rack: | Aluminum alloy |
| Pivot angle: | 90° adjustable from +5° to -5° |
| Operating temperature: | -20°C to +80°C |
| Number of springs: | 12 packs each 6 pcs per side |
| Torque max: | Torque table Pilot pressure table |
| Control medium: | Filtered & lubricated air according to Pneurop/ISO Kl. 5 |
| Control pressure: | Rated to 6 bar |
| Actuator Valve: | according to DIN ISO 5211 |
| Actuator Control valve: | according to Namur resp. VDI/VDE 3845 |
| Actuator Signal devices: | according to Namur resp. VDI/VDE 3845 |
| Position indicator : | optical, mounted in scope of delivery |



Connecting thread female/female



| Item No. | G" | DN | ø D mm | L mm | l mm | SW mm | A mm | B mm | C mm | FR Nm |
|------------------|--------|----|--------|------|------|-------|------|------|------|-------|
| FR029334_9335-02 | 1/4" | 10 | 11 | 79 | 16 | 27 | 142 | 142 | 72 | 20 |
| FR029334_9335-03 | 3/8" | 12 | 11 | 79 | 16 | 27 | 142 | 142 | 72 | 20 |
| FR029334_9335-04 | 1/2" | 15 | 11 | 79 | 16 | 27 | 142 | 142 | 72 | 20 |
| FR029334_9335-05 | 3/4" | 20 | 15 | 88 | 18 | 34 | 149 | 142 | 72 | 20 |
| FR029334_9335-06 | 1" | 25 | 20 | 108 | 22 | 41 | 160 | 142 | 72 | 20 |
| FR039334_9335-07 | 1 1/4" | 32 | 25 | 124 | 24 | 50 | 176 | 162 | 84 | 36 |
| FR039334_9335-08 | 1 1/2" | 40 | 32 | 135 | 25 | 56 | 187 | 162 | 84 | 36 |
| FR049334_9335-09 | 2" | 50 | 40 | 164 | 34 | 70 | 214 | 208 | 96 | 70 |

Measurements, as well as pictures are non-binding. We reserve ourselves changes according to the state of the technology

WESA-Armaturen GmbH * 73650 Winterbach *Spanninger Straße 5 * Telefon: +49 (0) 7181 404-0 · Telefax: +49 (0) 7181 404-33

www.wesa-armaturen.de

e-mail : info@wesa-armaturen.de