

### Stainless steel

#### TECHNICAL DATA BALL VALVE

##### 9334: T-Port

##### 9335: L-Port

Construction:	3-way ball valve, full bore
Design:	4-piece design
Connection end:	Internal thread according to DIN EN ISO 228-1
Drive connection:	According to DIN EN ISO 5211 [direct assembly]
Medium temperature:	-20°C to max. +180°C, pressure dependent
Medium nominal pressure:	PN 63 bar temperature dependent
Body:	Stainless steel 1.4408
Screw-in socket :	Stainless steel 1.4408
Ball:	Stainless steel 1.4401 Sealing on all sides
Stem:	stainless steel 1.4401 blow-out proof, antistatic
Ball seal:	PTFE TFM1600
Spindle seal:	PTFE   FKM O-ring

- Approval :**
- ATEX according to 2014/34/EU
  - Antistatic
  - SIL according IEC61508|61518

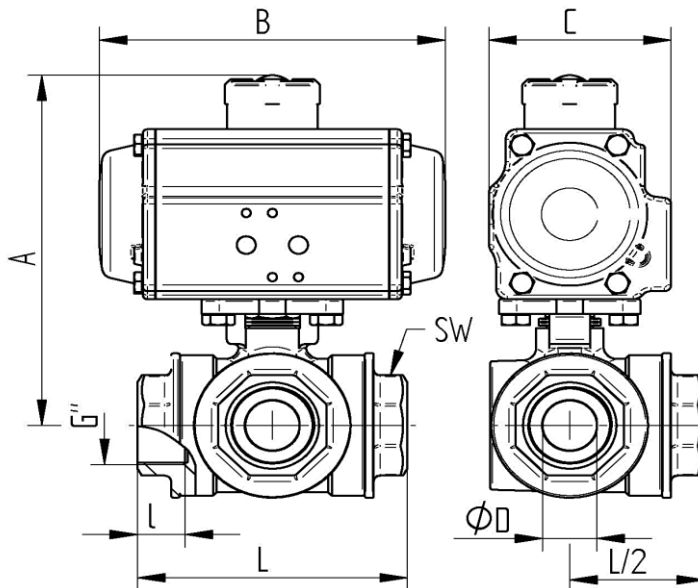
#### TECHNICAL DATA ACTUATOR

##### DW double acting

Design Feature:	Rack and pinion principle
Piston guide:	Self centering in housing
Housing:	Aluminum alloy anodized
Cover end caps:	Aluminum alloy, RAL 5002 blue painted
Seals:	NBR
Pinion:	Steel chemically hard nickel plated
Piston   Rack:	Aluminum alloy
Pivot angle:	90° adjustable from +5° to -5
Operating temperature:	-20°C to +80°C
Torque max:	Torque table   Pilot pressure table
Control medium:	Filtered & lubricated air according to Pneurop/ISO Kl. 5
Control pressure:	Rated to 6 bar
Actuator   Valve:	according to DIN ISO 5211
Actuator   Control valve:	according to Namur resp. VDI/VDE 3845
Actuator   Signal devices:	according to Namur resp. VDI/VDE 3845
Position indicator :	optical, mounted in scope of delivery



#### Connecting thread female/female



Item No.	G"	DN	ø D mm	L mm	l mm	SW mm	A mm	B mm	C mm	DW Nm
DW029334_9335-02	1/4"	10	11	79	16	27	142	142	72	20
DW029334_9335-03	3/8"	12	11	79	16	27	142	142	72	20
DW029334_9335-04	1/2"	15	11	79	16	27	142	142	72	20
DW029334_9335-05	3/4"	20	15	88	18	34	149	142	72	20
DW029334_9335-06	1"	25	20	108	22	41	160	142	72	20
DW039334_9335-07	1 1/4"	32	25	124	24	50	176	162	84	36
DW039334_9335-08	1 1/2"	40	32	135	25	56	187	162	84	36
DW049334_9335-09	2"	50	40	164	34	70	214	208	96	70