

Brass

TECHNICAL DATA BALL VALVE:

Working temperature:	from -20°C to max. + 160°C, pressure dependent
Working pressure :	max. PN 30 bar, depending on nominal diameter
Connection:	female threaded, acc. DIN 2999 - ISO 7/1
Actuatomounting:	acc. ISO 5211
Body material :	hot-pressed brass nickel-plated CW 617 N
Female connection:	brass nickel-plated
Ball:	brass chromium plated CW 614 N
Ball sealing:	PTFE
Stem:	brass CW 614 N, blow out proofed
Stem sealings:	PTFE / FKM

837: T - port
838: L - port

TECHNICAL DATA ACTUATOR

Functionality :	FR single acting, spring return
Design feature :	control shaft-bevel principle
Piston chanel :	self centering in body
Operating temperature :	- 20° C up to + 95 ° C
Angle of rotation :	90 ° from + 5° up to - 5° adjustable
Torque max. :	on request
Control medium :	filtered and oiled blast according Pneurop/ISO categorie 4

Mountig path :

Actuator/Armatur : 4 or 8 female thread in the body according to DIN ISO 5211

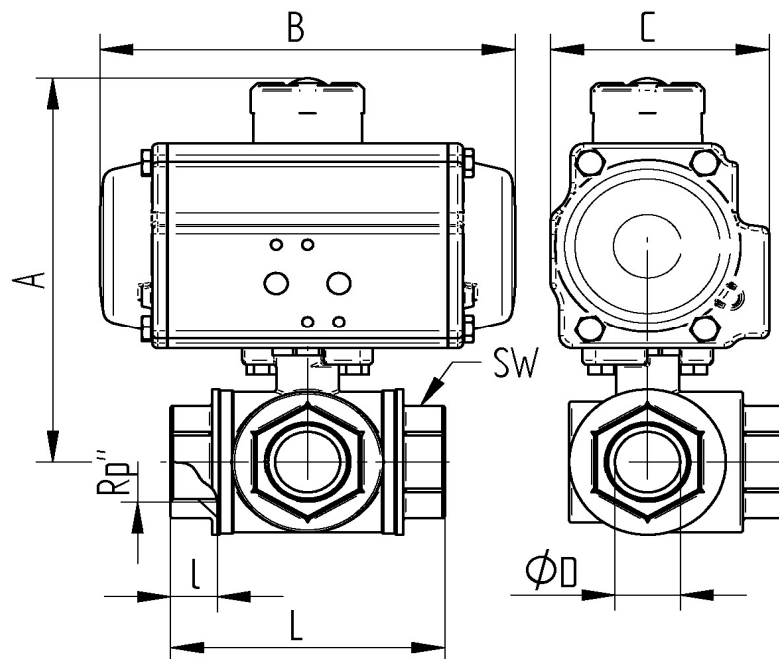
Actuator/Control valve : according to Namur respectively VDI/VDE 3845

Actuator/Signaling device : according to VDI/VDE 3845 (Namur)

Accessories actuator

Position announcement : optically, in the scope of supply mounts

Connecting thread female/female



Art. Nr.	Rp"	DN	øD mm	L mm	l mm	SW mm	A mm	B mm	C mm
FR010837/0838-03	3/8"	10	11	67	11,4	22	130	142	72
FR020837/0838-04	1/2"	15	15	77	15	27	146	162	84
FR030837/0838-05	3/4"	20	20	87	16,3	32	173	208	96
FR040837/0838-06	1"	25	25	105	20	41	193	246	108
FR040837/0838-07	1 1/4"	32	32	122,5	21,4	50	204	246	108
FR060837/0838-08	1 1/2"	40	40	138,5	22	55	270	347	151
FR060837/0838-09	2"	50	49,5	166	26	70	282	347	151