

Brass

TECHNICAL DATA BALL VALVE

837: T-Port

838: L-Port

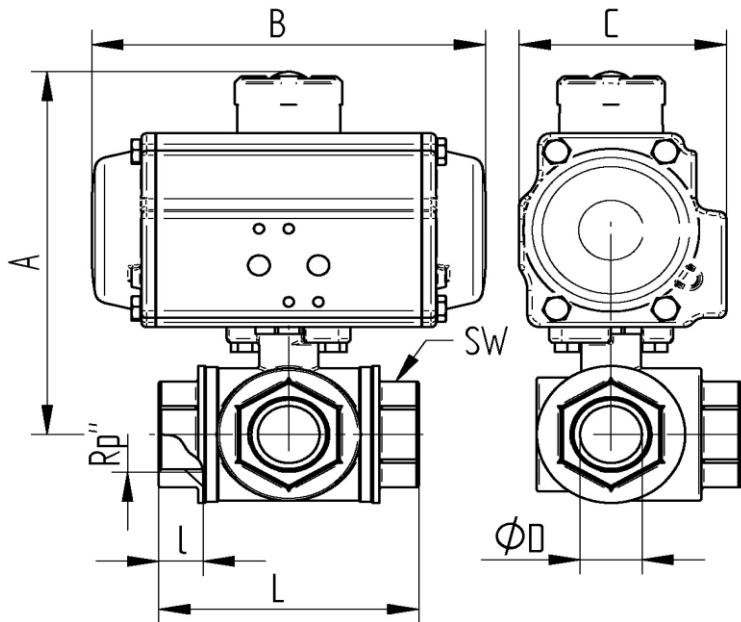
Construction:	3-way ball valve, full bore
Design:	4-piece design
Connection end:	Female according to DIN EN 10226-1
Drive connection:	According to DIN EN ISO 5211 [direct mounting].
Medium temperature:	- 20°C to max. + 160°C, pressure dependent
Medium nominal pressure:	max. PN 30 bar depending on nominal size
Body:	Nickel-plated pressed brass - CW617N
Screw-in socket :	Nickel-plated pressed brass - CW617N
Ball:	Pressed brass - CW614N
Stem:	Pressed brass - CW 614N, blow-out proof
Ball seal:	PTFE TFM1600 all-round sealing
Stem seal:	PTFE 2xFKM O-ring

TECHNICAL DATA ACTUATOR

DW double acting

Design Feature:	Rack and pinion principle
Piston guide:	Self centering in housing
Housing:	Aluminum alloy anodized
Cover end caps:	Aluminum alloy, RAL 5002 blue painted
Seals:	NBR
Pinion:	Steel chemically hard nickel plated
Piston Rack:	Aluminum alloy
Pivot angle:	90° adjustable from +5° to -5
Operating temperature:	-20°C to +80°C
Torque max:	Torque table Pilot pressure table
Control medium:	Filtered & lubricated air according to Pneurop/ISO KI. 5
Control pressure:	Rated to 6 bar
Actuator Valve:	according to DIN ISO 5211
Actuator Control valve:	according to Namur resp. VDI/VDE 3845
Actuator Signal devices:	according to Namur resp. VDI/VDE 3845
Position indicator :	optical, mounted in scope of delivery

Connecting thread female/female



Item No.	Rp"	DN	øD mm	A mm	B mm	C mm	L mm	l mm	SW mm	Nm
DW020837/0838-03	3/8"	10	11	130	142	72	67	15	22	20
DW020837/0838-04	1/2"	15	14	133	142	72	78	16	27	20
DW020837/0838-05	3/4"	20	19	141	142	72	87	16	32	20
DW030837/0838-06	1"	25	25	162	162	84	105	22	42	36
DW030837/0838-07	1 1/4"	32	32	173	162	84	122,5	27	50	36
DW040837/0838-08	1 1/2"	40	40	205	208	96	140	30	55	70
DW050837/0838-09	2"	50	50	230	246	108	168	30	70	110