

Stainless steel

TECHNICAL DATA BALL VALVE

Construction:	2-way full bore ball valve
Design:	1-piece design
Connection end:	Flange according to DIN 2501/1-EN 1092-1
Flange PN40	DN15-DN50+DN80
Flange PN16	DN100-DN150+DN65
Body wall thickness:	According to EN 12516-1
Actuator connection:	According to DIN EN ISO 5211 [direct assembly]
Medium temperature:	-20°C to +180°C pressure dependent
Medium nominal pressure:	Max. 40 bar temperature-dependent
Body:	Stainless steel 1.4408
Screw-in ring:	Stainless steel 1.4408
Ball:	Stainless steel 1.4401
Stem:	Stainless steel 1.4401 Blow-out proof
Ball seal:	PTFE TFM1600
Stem seal:	PTFE FKM O-ring

Approval :

<input type="checkbox"/>	ATEX according to 2014/34/EU
<input type="checkbox"/>	Antistatic
<input type="checkbox"/>	SIL according IEC61508 61518

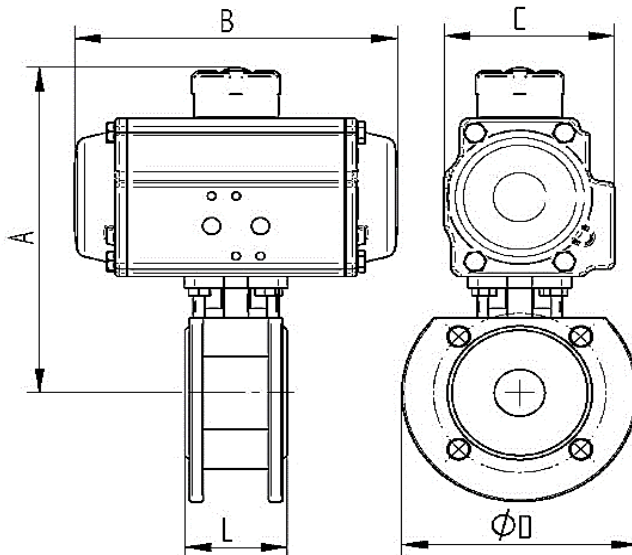
TECHNICAL DATA ACTUATOR

DW double acting

Design Feature:	Rack and pinion principle
Piston guide:	Self centering in housing
Housing:	Aluminum alloy anodized
Cover end caps:	Aluminum alloy, RAL 5002 blue painted
Seals:	NBR
Pinion:	Steel chemically hard nickel plated
Piston Rack:	Aluminum alloy
Pivot angle:	90° adjustable from +5° to -5°
Operating temperature:	-20°C to +80°C
Torque max:	Torque table Pilot pressure table
Control medium:	Filtered & lubricated air according to Pneurop/ISO Kl. 5
Control pressure:	Rated to 6 bar
Actuator Valve:	according to DIN ISO 5211
Actuator Control valve:	according to Namur resp. VDI/VDE 3845
Actuator Signal devices:	according to Namur resp. VDI/VDE 3845
Position indicator :	optical, mounted in scope of delivery



Flange connections



Item No.	DN	ø mm	A mm	B mm	C mm	L mm	øD mm	ød	x ø d1	Nm
DW020932-04	15	15	146	142	72	42	95	65	4xM12	20
DW020932-05	20	20	151	142	72	44	105	75	4xM12	20
DW020932-06	25	25	162	142	72	50	115	85	4xM12	20
DW030932-07	32	32	185	162	84	60	140	100	4xM16	36
DW030932-08	40	38	191	162	84	65	150	110	4xM16	36
DW040932-09	50	50	217	208	96	80	165	125	4xM16	70
DW040932-10	65	63,5	239	208	96	110	185	145	4xM16	70
DW050932-11	80	76	260	246	108	120	200	160	8xM16	110
DW070932-12	100	95	321	247	151	150	220	180	8xM16	333
DW080932-13	125	118	409	475	202	180	250	210	8xM16	682
DW080932-14	150	142	425	475	202	225	285	240	8xM20	682